



Installation Guide

Pendant Mount Bracket

Model: LSO-100PA

Accessories

- Installation manual
- Screw accessory
 - Teflon™ tape (1 ea)
 - Plastic Anchor (4 ea)
 - Washer (4 ea)
 - Screw Machine(M3 x L8.0 mm) (4 ea)
 - Screw Machine (M4 x L10.0 mm) (4 ea)
 - Screw Machine(M4 x L30.0 mm) (4 ea)

Getting Started

Introduction

This product is designed for the pendant mount of LG Dome camera on the ceiling.

The installable LG Dome Camera

- LT303's and LCP2840's models
- Refer to the owner's manual of LG Dome Camera for the compatibility of this product.
- Actual set may be differ from the picture described in this manual.

Installation Precautions

Make sure that the installation place can endure at least 4 times of the total weight of the Pendant Mount Bracket and Camera.

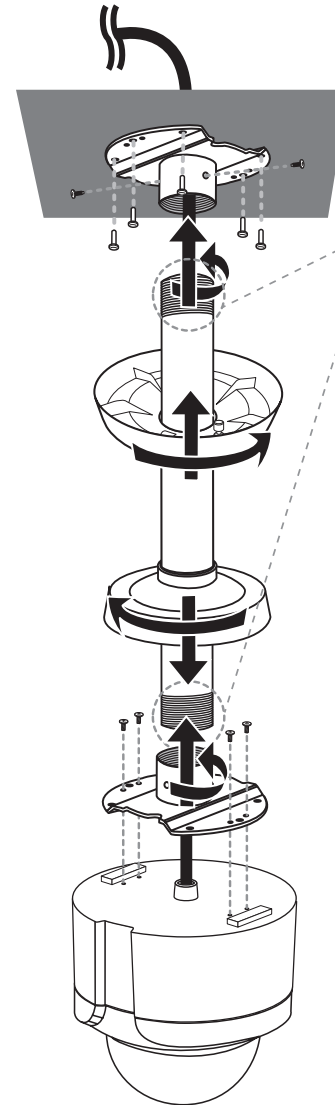
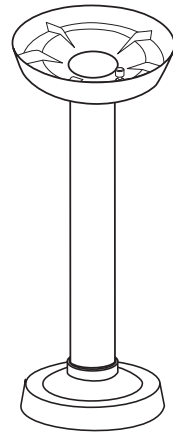
Specifications

- Dimensions (Ø x H): 150 mm x 419 mm
- Net Weight: 2.7 kg
- Material: Aluminum
- Operating Temperature: -50 °C to 60 °C
- Operating Humidity: 0 to 100 %

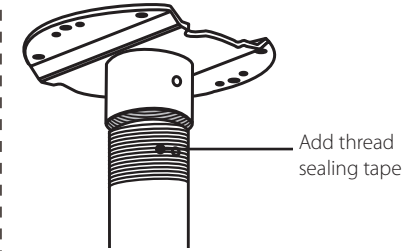
WARNING:

This product contains chemicals known to the State of California to cause cancer and birth defects or reproductive harm. **Wash hands after handling.**

Installation with LT303's and LCP2840's models

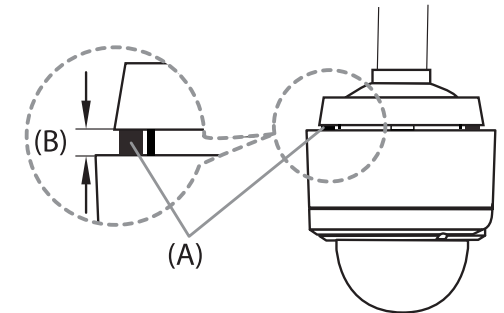


Pipe threads should be clean and rust free. Use a sealer (such as Teflon™ tape and silicone sealer) on the threads.

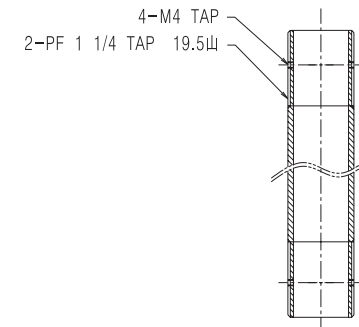


Note

Do not remove the block (A) to keep the gap (B) between the camera body and installation bracket.



Reference: Specifications of LG Standard pipe.



MFL67644627