



OWNER'S MANUAL

Color Video Camera

Please read this manual carefully before operating your set and retain it for future reference.

MODEL

LCV5300-BN

LCV5300-BP



MFL67409442

1205(V1.0)



CAUTION

**RISK OF ELECTRIC SHOCK
DO NOT OPEN**



CAUTION: TO REDUCE THE RISK OF ELECTRIC SHOCK
DO NOT REMOVE COVER (OR BACK)
NO USER-SERVICEABLE PARTS INSIDE
REFER SERVICING TO QUALIFIED SERVICE PERSONNEL.



This lightning flash with arrowhead symbol within an equilateral triangle is intended to alert the user to the presence of uninsulated dangerous voltage within the product's enclosure that may be of sufficient magnitude to constitute a risk of electric shock to persons.



The exclamation point within an equilateral triangle is intended to alert the user to the presence of important operating and maintenance (servicing) instructions in the literature accompanying the product.

FCC WARNING: This equipment may generate or use radio frequency energy. Changes or modifications to this equipment may cause harmful interference unless the modifications are expressly approved in the instruction manual. The user could lose the authority to operate this equipment if an unauthorized change or modification is made.

REGULATORY INFORMATION: FCC Part 15

This equipment has been tested and found to comply with the limits for a Class A digital device, pursuant to Part 15 of the FCC Rules. These limits are designed to provide reasonable protection against harmful interference when the equipment is operated in a commercial environment. This equipment generates, uses, and can radiate radio frequency energy and, if not installed and used in accordance with the instruction manual, may cause harmful interference to radio communications. Operation of this equipment in a residential area is likely to cause harmful interference in which case the user will be required to correct the interference at his own expense.

- A suitable conduit entries, knock-outs or glands shall be provided in the cable entries of this product in the end user.
- Caution: Danger of explosion if battery is incorrectly replaced. Replaced only with the same or equivalent

type recommended by the manufacturer. Dispose of used batteries according to the manufacturer's instructions.

- Holes in metal, through which insulated wires pass, shall have smooth well rounded surfaces or shall be provided with brushings.

This Class A digital apparatus complies with Canadian ICES-003.

Cet appareil numérique de la classe A est conforme à la norme NMB-003 du Canada.

Warning: Do not install this equipment in a confined space such as a bookcase or similar unit.

Warning: Wiring methods shall be in accordance with the National Electric Code, ANSI/NFPA 70.

Warning: This is a class A product. In a domestic environment this product may cause radio interference in which case the user may be required to take adequate measures.

Warning: To reduce a risk of fire or electric shock, do not expose this product to rain or moisture.

Warning: The product has been dropped or the case is broken, turn off the power and unplug the power cord. (This may cause fire, electric shock, or injury.)

Warning: If the product has no video out or sound, please stop using. Unplug the power cable immediately and contact the service center. (This may cause fire or electric shock.)

Caution: This installation should be made by a qualified service person and should conform to all local codes.

Caution: To avoid electrical shock, do not open the cabinet. Refer servicing to qualified personnel only.

Caution: The apparatus shall not be exposed to water (dripping or splashing) and no objects filled with liquids, such as vases, shall be placed on the apparatus.

Caution: Prevent the power cable from being severely bent or having pressure exerted on it by a heavy object.

To disconnect power from mains, pull out the mains cord plug. When installing the product, ensure that the plug is easily accessible.

Disposal of your old appliance



1. When this crossed-out wheeled bin symbol is attached to a product it means the product is covered by the European Directive 2002/96/EC.
2. All electrical and electronic products should be disposed of separately from the municipal waste stream via designated collection facilities appointed by the government or the local authorities.
3. The correct disposal of your old appliance will help prevent potential negative consequences for the environment and human health.
4. For more detailed information about disposal of your old appliance, please contact your city office, waste disposal service or the shop where you purchased the product.

EEE Compliance with Directive. (for Turkey only)



LG Electronics hereby declares that this/ these product(s) is/are in compliance with the essential requirements and other relevant provisions of Directive 2004/108/EC, 2006/95/EC, and 2009/125/EC.

European Standards Centre:

Krijgsman 1, 1186 DM Amstelveen The Netherlands

Important Safety Instructions

1. Read these instructions.
2. Keep these instructions.
3. Heed all warnings.
4. Follow all instructions.
5. Do not use this apparatus near water.
6. Clean only with dry cloth.
7. Do not block any ventilation openings. Install in accordance with the manufacturer's instructions.
8. Do not install near any heat sources such as radiators, heat registers, stoves, or other apparatus (including amplifiers) that produce heat.
9. Do not defeat the safety purpose of the polarized or grounding-type plug. A polarized plug has two blades with one wider than the other. A grounding type plug has two blades and a third grounding prong. The wide blade or the third prong are provided for your safety. If the provided plug does not fit into your outlet, consult an electrician for replacement of the obsolete outlet.
10. Protect the power cord from being walked on or pinched particularly at plugs, convenience receptacles, and the point where they exit from the apparatus.
11. Only use attachments/accessories specified by the manufacturer.
12. Use only with the cart, stand, tripod, bracket, or table specified by the manufacturer, or sold with the apparatus. When a cart is used, use caution when moving the cart/apparatus combination to avoid injury from tip-over.
13. Unplug this apparatus during lightning storms or when unused for long periods of time.
14. Refer all servicing to qualified service personnel. Servicing is required when the apparatus has been damaged in any way, such as power-supply cord or plug is damaged, liquid has been spilled or objects have fallen into the apparatus, the apparatus has been exposed to rain or moisture, does not operate normally, or has been dropped.



Cautions for Safe Operation

Power Supply

This camera must always be operated a AC 24 V or DC 12 V Certified/Listed, class 2 power supply only.

Handling of the unit

Be careful not to spill water or other liquids on the unit. Be cautious not to get combustible or metallic material inside the body. If used with foreign matter inside, the camera is liable to fail or to get cause of fire or electric shock.

- Remove dust or dirt on the surface of the lens with a blower.
- Use a dry soft cloth to clean the body. If it is very dirty, use a cloth dampened with a small quantity of neutral detergent then wipe dry.
- Avoid the use of volatile solvents such as thinners, alcohol, benzene and insecticides. They may damage the surface finish and/or impair the operation of the camera.

Operating and storage location

Avoid viewing a very bright object (such as light fittings) during an extended period. Avoid operating or storing the unit in the following locations.

- Extremely hot or cold places (operating temperature -10 °C to 50 °C, however, we recommend that the unit be used within a temperature range of 0 °C to 45 °C)
- Damp or dust place
- Places exposed to rain
- Places subject to strong vibration
- Close to generators of powerful electromagnetic radiation such as radio or TV transmitters.

Contents

Features	8	Specification	35
Accessories.....	8		
Part Names and Functions	9		
Connections	10		
Basic connection.....	10		
Installation	11		
Mounting the Camera.....	11		
Image Adjustment	14		
Menu Operation	17		
General Operation.....	20		
Exposure Settings.....	21		
White Balance settings	24		
Day/Night Setting	25		
Motion Detection Setting.....	26		
3D-DNR Setting.....	27		
Privacy Setting.....	28		
Special Menu Settings	30		
SYSTEM Setting	34		

Features

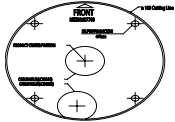


This Color Video Camera is designed for installation in a video surveillance system.

This manual contains instructions on how to install and manage the Color Video Camera in your video surveillance system.

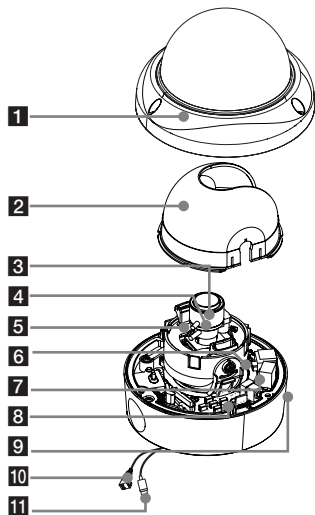
Should you require any technical assistance, please contact authorized service center.

- High resolution and high sensitivity with a 6 mm (1/3 Type) Exview HAD CCD II.
- Automatically switch between DC 12 V and AC 24 V.
- Smart motion detector.

Accessories

Installation sticker	
Wrench	
M4 Fixing screws	

Part Names and Functions



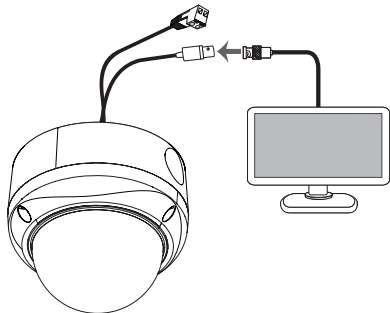
- 1 Dome Cover**
- 2 Lens Cover**
- 3 Focus lock lever**
Fixes the focus position after adjusting.
- 4 Zoom lock lever**
Fixes the zoom position after adjusting.
- 5 Azimuth adjuster**
- 6 Tilting lock screw**
Fixes the tilting position after adjusting.
- 7 Pan adjuster**
- 8 Setup menu control buttons**
- 9 Video Out connector**
Use this jack for checking the picture with portable monitor when install the camera.
- 10 Power input connector**
Supplies AC 24 V or DC 12 V from an external power source.
- 11 Video output connector (BNC type)**

Connections

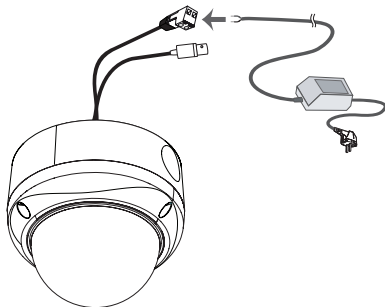
Basic connection

The peripheral devices (DVR, monitor, etc.), AC/DC adapter and cables are not supplied.

1. Make the video signal connection between the camera and the monitor or DVR.



2. Connect a external power source to the power input jack of the camera.



Installation

Mounting the Camera

Note:

Refer the manual of Dome bracket adaptor when you mount the camera on the wall, pendant and parapet.

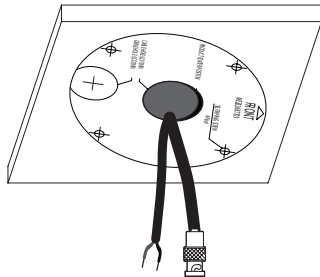
Surface mount

Follow the instructions below to surface mount the camera with supplied camera mounting bracket.

1. Use the installation guide template to check the mounting location. Face the front of the label toward the area of interest. Using the template as a guide, make a hole through the ceiling.

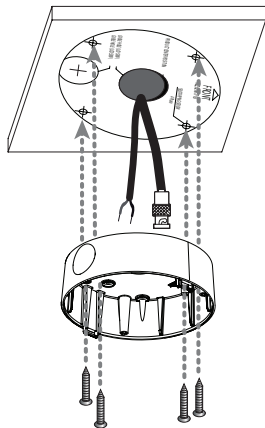


2. Pass the connection cable through the inner side of the ceiling.

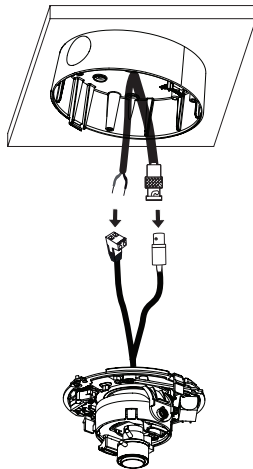


Installation

3. Install the camera mounting bracket to the ceiling.

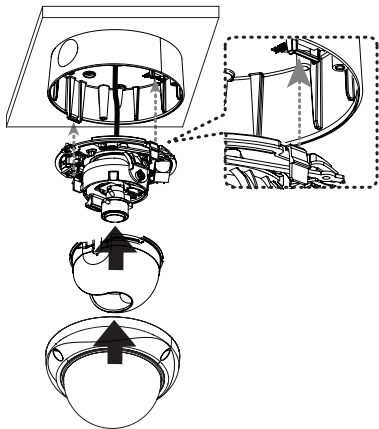


4. Connect the cables to the cable jacks of the camera body.

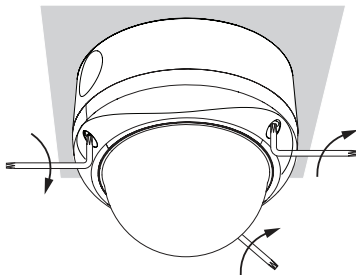


Installation

5. Assemble the camera and the housing. Make sure when you assemble the camera in the right direction. And then, assemble the dome cover and lens cover.



6. Use the supplied wrench to tighten the screws



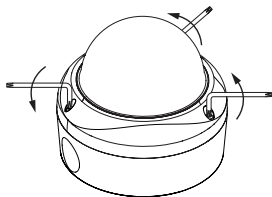
Installation

Image Adjustment

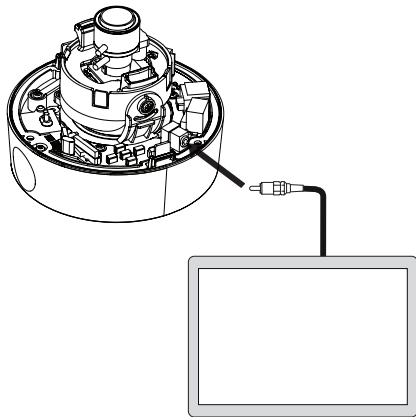
You can manually adjust the pan/tilt/azimuth angles, focus, and zoom while observing the connected monitor.

Notes:

- Do not hold the camera by lens unit to adjust panning, tilting, or azimuth.
 - The video output to the BNC will be interrupted while a portable monitor is connected to the video jack.
1. Use the supplied wrench to loosen the screws and remove the dome cover. Remove the Dome cover and lens cover.

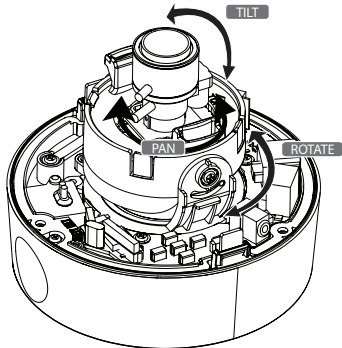


2. Connect a portable monitor to the video jack.



Installation

3. Adjust the pan/tilt/rotate position of the camera.

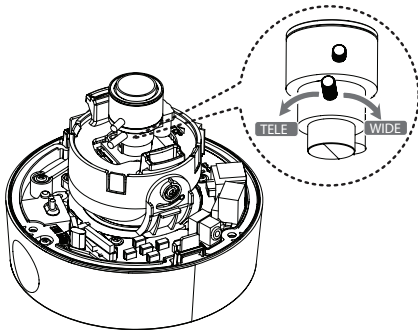


4. Adjust the zoom.

4-1. Unlock the zoom lever.

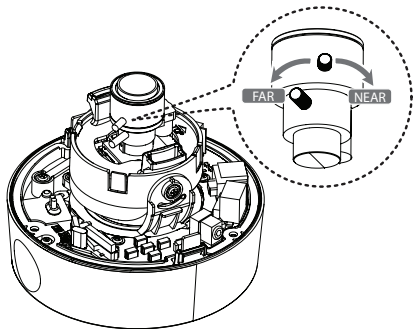
4-2. Move the lever to adjust the zoom.

4-3. Lock the lever.

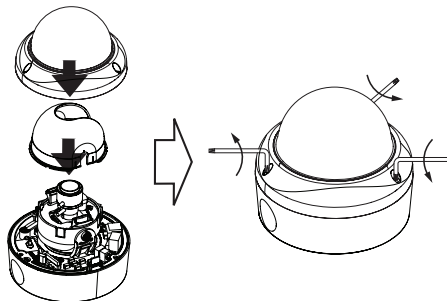


Installation

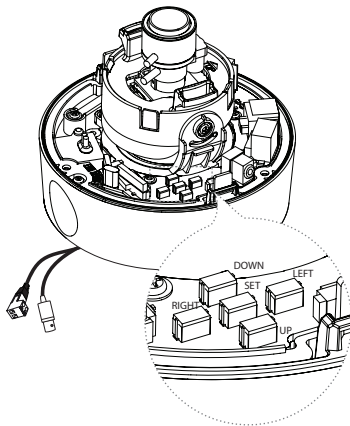
5. Adjust the focus.
 - 5-1. Unlock the focus lever.
 - 5-2. Move the lever to adjust the focus.
 - 5-3. Lock the lever.




6. This camera utilizes an on-screen user MENU. To set items on the menu, use the following buttons. After then attach the lens cover and dome cover.



Menu Operation



- **UP button:**
Used to move upper direction on the menu screen. Use this button to select an item or adjust the parameters.
- **DOWN button:**
Used to move lower direction on the menu screen. Use this button to select an item or adjust the parameters.
- **RIGHT button:**
Moves the cursor to the right. Used to increment the value selected in the menu. The parameter changes each time this button is pressed.
- **LEFT button:**
Moves the cursor to the left. Used to decrement the value selected in the menu. The parameter changes each time this button is pressed.
- **SET button:**
Executes selections and displays a submenu for an item with the  mark.

Menu Operation

The following table shows the list of menu items and options. You can adapt the camera to your requirements by setting up the respective items in these menus.

Main Menu	Sub Menu	Contents		
EXPOSURE	ALC /ELC	BACKLIGHT	OFF/BLC/HSBLC	
		BRIGHTNESS	0 to 100	
		AGC	OFF/LOW/MIDDLE/ HIGH	
		SHUTTER	1/120 000, ..., 1/160, A.FLK, OFF, AUTO, x2, ..., x512	
		SENS-UP	OFF	
			AUTO	
EXIT	TOP/RET/END			
WHITE BAL	ATW	-		
	AUTO	-		
	AWC → SET KEY	-		
	MANUAL	RED	-100 to 100	
		BLUE	-100 to 100	
EXIT		TOP/RET/END		

Main Menu	Sub Menu	Contents		
DAY/NIGHT	AUTO	BURST	ON/OFF	
		LEVEL	LOW/ MIDDLE/ HIGH / USER	
		DWELL TIME	3 SEC to 60 SEC	
		EXIT	TOP/RET/END	
	DAY	-		
	NIGHT	BURST	ON/OFF	
	EXIT	TOP/RET/END		
MOTION DET	OFF	-		
	ON	AREA SETUP	AREA SELECTION	1 to 8
			STATE	ON / OFF
			POSITION ↔	0 to 7
			POSITION ↑↓	0 to 5
			SIZE ↔	1 to 8
			SIZE ↔	1 to 6
		EXIT	TOP/RET/ END	
		SENSITIVITY	0 to 100	
		DISPLAY	OUTLINE,MASK1,MASK2,OFF	
		ALRAM OUT	MESSAGE,OFF	
EXIT	TOP/RET/END			

Menu Operation

Main Menu	Sub Menu	Contents		
3D-DNR		0 to 100		
PRIVACY MASK	OFF	-		
	ON	RECTANGLE	MASK SELECTION	1 to 8
			DISPLAY	OFF,MOZAIC, COLOR1 to COLOR 8
			POSITION ←→	2 to 98
			POSITION ↑↓	2 to 98
			SIZE ←→	4 to 100
			SIZE ←→	4 to 100
			EXIT	TOP/RET/END
			ON	CIRCLE
	DISPLAY	OFF,MOZAIC, COLOR1 to COLOR8		
	POSITION ←→	0 to 100		
	POSITION ↑↓	0 to 100		
	SIZE ←→	1 to 15		
	SIZE ←→	1 to 15		
	RADIOUS	1 to 100		
	EXIT	TOP/RET/END		

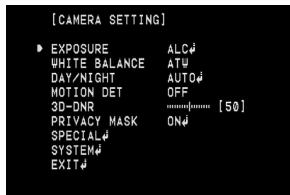
Main Menu	Sub Menu	Contents			
PRIVACY MASK	ON	POLYGON	MASK SELECTION	1 to 2	
			DISPLAY	OFF,MOZAIC, COLOR1 to COLOR 8	
			SHAPE	-	
			POSITION	-	
			EXIT	TOP/RET/END	
	EXIT	TOP/RET/END			
	OFF	-			
	SPECIAL	D-ZOOM	ON	ZOOM	x1.0 to x16.0
				PAN	-100 to 100
				TILT	-100 to 100
EXIT				TOP/RET/END	
D-EFFECT		OFF / MIRROR / ROTATE / V-FILP			
SHARPNESS		0 to 100			
COLOR		0 to 100			
SYNC		INT / LL			
USER TITLE		ON / OFF			
LANGUAGE		ENG/CHN/KOR/JAP/FRE/ITA/ESP/POR/DUT/GER/POL/RUS/TUR/ARA/HEB			
EXIT	TOP/RET/END				

Menu Operation

Main Menu	Sub Menu	Contents
SYSTEM	FACTORY RESET	-
	EXIT	TOP/RET/END
EXIT		

General Operation

1. Press **[SET]** button.
The setup menu screen appears on the monitor.



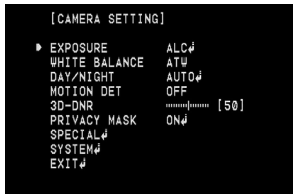
2. Use **[UP]** or **[DOWN]** button to select an option then press **[SET]** button. Submenu appears on the monitor.
3. Use **[UP]** or **[DOWN]** button to select a submenu option.
4. Use **[LEFT]** or **[RIGHT]** button to select a value.
 - TOP: Return to the CAMERA SETTING menu screen.
 - RETURN: Return to the previous.
 - END: Exit the setup menu.

Menu Operation

Exposure Settings

You can set the exposure options using the EXPOSURE menu.

1. Select [EXPOSURE] option on the [CAMERA SETTING] menu.
2. Use [LEFT] or [RIGHT] button to select a mode.
3. Press [SET] button and the EXPOSURE menu appears.



Backlight setting

Use Backlight option to view the object clearly in backlight conditions.



1. Select [BACKLIGHT] option.
2. Use [LEFT] or [RIGHT] button to select a mode then press [SET].
 - BLC: Camera's backlight compensation feature helps alleviate issues of visibility in high contrast areas. Set the BLC limit.
 - HSBL: Use for masking brightness of the specific area to view the subject more clearly. The HSBL mode is automatically activated only in low

Menu Operation

luminance scene.

- > AREA SETTING: Use **[LEFT]** or **[RIGHT]** button to select a area then use **[UP]** or **[DOWN]** button to select a [ON] or [OFF]. Press **[SET]** to exit the Area setting menu.
- > GRAY SCALE: Use **[LEFT]** or **[RIGHT]** button to select a gray scale.
- > USER SCALE: Use **[LEFT]** or **[RIGHT]** button to select a bright level. (5 level)
- > MASK: Use **[LEFT]** or **[RIGHT]** button to select [ON] or [OFF].
If you set the MASK to ON, the mask function is activate only when the HSBLC is automatically activated in low luminance scene.

- OFF: Not used.

BRIGHTNESS setting

You can increase the brightness of the darkened video. If you set the brightness to lower value, the image is darkened. If you set the brightness to higher value, the image gets bright.



1. Select [BRIGHTNESS] option.
2. Use **[LEFT]** or **[RIGHT]** button to set the bright level.

Menu Operation

AGC (Automatic Gain Control) setting

If the images are too dark, change the maximum [AGC] value to make the images brighter.



1. Select [AGC] option.
2. Use [LEFT] or [RIGHT] button to select a mode.

SHUTTER (Shutter Speed) setting

Select the desired shutter speed for camera exposure. You can change the shutter speed to higher speed to capture fast-moving subjects, though the image becomes darker.



1. Select [SHUTTER] option.
2. Use [LEFT] or [RIGHT] button to set shutter speed.

Note:

When the SHUTTER is set to AUTO, the picture may become unstable if the camera faces a bright fluorescent light directly. Therefore, take care when installing.

Menu Operation

SENS-UP setting

If pictures are not clear due to darkness, this SENS-UP operation would increase the sensitivity of picture.



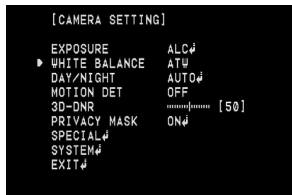
1. Use **[UP]** or **[DOWN]** button to select [SENS-UP] option.
2. Use **[LEFT]** or **[RIGHT]** button to select mode.
 - AUTO: Adjust the sensitivity of the picture automatically.
 - > SENS-UP LIMIT: Use **[LEFT]** or **[RIGHT]** button to set the SENS-UP limit.
 - OFF: Not used.

Note:

- If you set to one of the SHUTTER options except AUTO on the [SHUTTER] menu, the [SENS-UP] setting is not available and [---] mark is displayed.

White Balance settings

Select the method by which the camera shifts its output colors to compensate for the color of a light source.

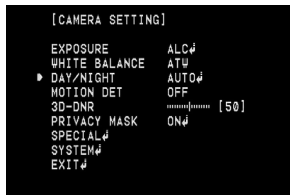


1. Select [WHITE BAL] option.
2. Use **[LEFT]** or **[RIGHT]** button to select a mode then press **[SET]**.

Menu Operation

- ATW (Auto-Tracing White Balance): Use **[LEFT]** or **[RIGHT]** button to select the ATW then press **[SET]** button.
- AUTO: Use **[LEFT]** or **[RIGHT]** button to select the AUTO then press **[SET]** button.
- AWC→SET KEY: If you select the AWC→SET KEY mode, you will be able to set up the White Balance automatically using **[SET]** button.
- MANUAL: You can set the white balance options manually.
 - > RED: Obtains the optimum amount of red gain.
 - > BLUE: Obtains the optimum amount of blue gain.

Day/Night Setting



1. Select **[DAY/NIGHT]** option.
2. Use **[LEFT]** or **[RIGHT]** button to select mode for Day/Night function.
 - AUTO: You will be able to change the Day/Night mode automatically.

Note:

If you set the AGC to **[OFF]**, the AUTO mode of the DAY/NIGHT function is not available and **[--]** mark is displayed.

- > BURST: Use **[LEFT]** or **[RIGHT]** button to

Menu Operation

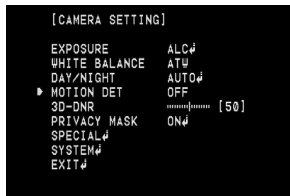
- select [ON] or [OFF].
- > LEVEL: Use [LEFT] or [RIGHT] button to select a level.
- > DWELL TIME: Use [LEFT] or [RIGHT] button to select a dwell time.
- DAY: Color mode enabled.
- NIGHT: Black-and-white mode enabled.
 - > BURST: Use [LEFT] or [RIGHT] button to select [ON] or [OFF].

Note:

Select the BURST [ON] or [OFF] when the color noise occurs on the screen in NIGHT Mode after operating the Line-Lock.

Motion Detection Setting

The motion detection detects the moving objects in the scene by monitoring changes in brightness level. You can select the level of sensitivity for motion detection to 8 zone.



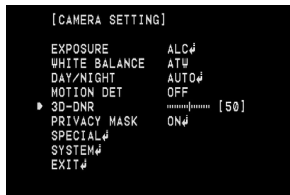
1. Select [MOTION DET] option.
2. Use [LEFT] or [RIGHT] button to select a [ON] and press [SET]. The MOTION DETECTION menu appears.
3. Select [AREA SETUP] option.
 - Use [LEFT] or [RIGHT] button to select a area (1/8 to 8/8) on the [AREA SELECTION].
 - Use [LEFT] or [RIGHT] button to set up the ON or

Menu Operation

OFF on the STATE.

- Use **[UP]** or **[DOWN]** to select an option then use **[LEFT]** or **[RIGHT]** button to adjust the option.
 - > POSITION **←→**: Moves horizontal position of the mask.
 - > POSITION **↑↓**: Moves vertical position of the mask.
 - > SIZE **←→**: Enlarge or decrease the horizontal size of the mask.
 - > SIZE **↑↓**: Enlarge or decrease the vertical size of the mask.
- 4. Use **[SENSITIVITY]** option to obtain the optimum detection level.
- 5. Use **[LEFT]** or **[RIGHT]** button to select the **DISPLAY** option.
- 6. Use **[LEFT]** or **[RIGHT]** button to select the **ALARM OUT** option.

3D-DNR Setting

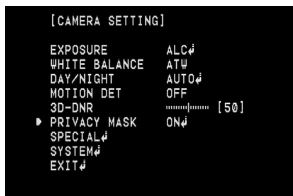


1. Select **[3D-DNR]** option.
If pictures are not clear due to brightness, this option would reduce the noise of picture.
2. Use **[LEFT]** or **[RIGHT]** button to select a value.

Menu Operation

Privacy Setting

This function is aiming at the protection of personal privacy, selecting a screen part black not to be displayed in the screen. Up to 14 zones can be registered.



1. Select [PRIVACY] option.
2. Use [**LEFT**] or [**RIGHT**] button to select a [ON] and press [**SET**]. The PRIVACY SETUP menu appears.
 - RECTANGLE:
 - > Use [**LEFT**] or [**RIGHT**] button to select a mask on the [MASK SELECTION].
 - > Use [**LEFT**] or [**RIGHT**] button to set up the DISPLAY option.

- > Use [UP] or [DOWN] to select an option then use [LEFT] or [RIGHT] button to adjust the option.
 - POSITION \leftrightarrow : Moves horizontal position of the mask.
 - POSITION \updownarrow : Moves vertical position of the mask.
 - SIZE \leftrightarrow : Enlarge or decrease the horizontal size of the mask.
 - SIZE \updownarrow : Enlarge or decrease the vertical size of the mask.

- CIRCLE :
 - > Use [**LEFT**] or [**RIGHT**] button to select a mask on the [MASK SELECTION].
 - > Use [**LEFT**] or [**RIGHT**] button to set up the DISPLAY option.
 - > Use [UP] or [DOWN] to select an option then use [**LEFT**] or [**RIGHT**] button to adjust the option.
 - POSITION \leftrightarrow : Moves horizontal position of the mask.
 - POSITION \updownarrow : Moves vertical position

Menu Operation

of the mask.

- SIZE \longleftrightarrow : Enlarge or decrease the horizontal size of the mask.
- SIZE \updownarrow : Enlarge or decrease the vertical size of the mask.
- RADIUS SIZE : You can adjust the RADIUS SIZE.

- POLYGON :

- > Use **[LEFT]** or **[RIGHT]** button to select a mask on the [MASK SELECTION].
- > Use **[LEFT]** or **[RIGHT]** button to set up the DISPLAY option.
- > Use the **[LEFT]**, **[RIGHT]**, **[UP]**, **[DOWN]**, **[SET]** button to draw the polygon on the [SHAPE].
- > Use the **[LEFT]**, **[RIGHT]**, **[UP]**, **[DOWN]**, **[SET]** button to move the polygon on the [POSITION].

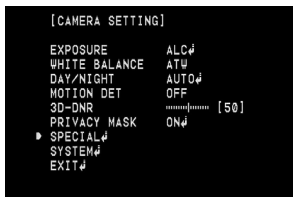
Notes:

- You can adjust the mask color manually except for COLOR 8.
- RED, GREEN, BLUE and TRANSPARENCY adjustments are applied in common from COLOR 1 to COLOR 7, after mask setting.

Menu Operation

Special Menu Settings

This menu lets you adjust and set up D-ZOOM, D-EFFECT, SHARPNESS, COLOR, SYNC, USER TITLE, LANGUAGE function by yourself in the SPECIAL menu.



1. Select [SPECIAL] option.
2. Press [SET] button and the SPECIAL menu appears.

Setting the D-ZOOM (Digital Zoom) level

You can select the digital zoom level.



1. Select [D-ZOOM] option on the [SPECIAL] menu.
2. Use [LEFT] or [RIGHT] button to select a [ON] then press [SET] the DIGITAL ZOOM menu appears. When you set to ON, the displayed image can be shaking.
3. Use [UP] or [DOWN] to select a option then use [LEFT] or [RIGHT] button to select a level.
 - ZOOM: Use [LEFT] or [RIGHT] button to enlarge the screen.
 - PAN: Use [LEFT] or [RIGHT] button to move the screen. (left or right)

Menu Operation

- TILT: Use **[LEFT]** or **[RIGHT]** button to move the screen. (up or down)

Setting the D-EFFECT (Digital effect)

You can select the digital effect.



1. Select [D-EFFECT] option on the [SPECIAL] menu.
2. Use **[LEFT]** or **[RIGHT]** button to select a digital effect.
 - V-FLIP: Flip the picture vertically.
 - MIRROR: Turn on the mirror effect.
 - ROTATE: Rotate the picture. (180°)
 - OFF: Turn off the digital effect.

Setting the SHARPNESS effect

The degree to which the boundary of the two portions is clearly distinguished.



1. Select [SHARPNESS] option on the [SPECIAL] menu.
2. Use **[LEFT]** or **[RIGHT]** button to change a adjust the option. If you set the sharpness value to higher, the image outline becomes sharp. If you set to lower value, the image outline becomes dim.

Menu Operation

Setting the COLOR

You can switch the displayed picture to gray scale or color.



1. Select [COLOR] option on the [SPECIAL] menu.
2. Use [LEFT] or [RIGHT] button to change a color effect.
 - ON: To display the picture with color.
 - OFF: To display the picture with grayscale.

SYNC Setting



1. Select [SYNC] option on the [SPECIAL] menu.
2. The [SYNC] option is set to [INT] automatically.

Note:

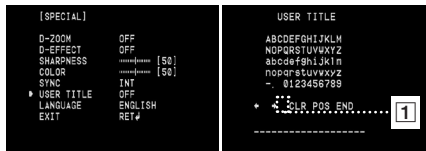
AC24V Adaptor have to use for the [LL] mode setting.

Menu Operation

Setting the USER TITLE

You can use the camera identification to assign a number and character to the camera.
The USER TITLE is displayed on the upper left of the screen.
To disappear the user title, select [OFF].

1. Select [USER TITLE] option.
2. Use [**LEFT**] or [**RIGHT**] button to select a [ON] then press [**SET**]. The USER TITLE menu appears.



3. Use [**UP**], [**DOWN**], [**LEFT**] or [**RIGHT**] button to select a character or number then press [**SET**] button.
 - CLR: Clear all entered characters and numbers.
 - POS: Move the USER TITLE position on the screen using the arrow buttons.
 - END: Confirm your selection or exit the setting

- **1** (Blank): Inserts a space at the cursor position.
- **←** / **→**: Moves cursor to left or right.

LANGUAGE Setting

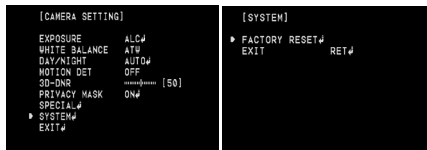
Select the viewer language for the camera setup menu and OSD information display.



1. Select [LANGUAGE] option on the [SPECIAL] screen.
2. Press [**LEFT**] or [**RIGHT**] button to select a language.

Menu Operation

SYSTEM Setting



1. Select the [SYSTEM] menu.
2. Press [SET] button and the [SYSTEM] menu appears.
3. Use [UP] or [DOWN] button to select the option.
 - FACTORY RESET: To reset the camera setting to factory setting, select the [FACTORY RESET] option.
4. Press [SET] button to confirm your selection.

Note:

The menu screen is move to top menu, after set up [FACTORY RESET].

Specification

Item		LCV5300-BN	LCV5300-BP
Signal System		NTSC	PAL
Total/Effective Pixels Number		520 000 Pixels / 480 000 Pixels	610 000 Pixels / 570 000 Pixels
Image Device		6 mm (1/3 Type) Exview HAD CCD II	
DSP		XDI-V	
Lens		2.8 mm to 11 mm Vari-focal Lens, F1.2	
Digital Zoom		x16	
IRIS Control		DC	
Sync. System		Internal / Line Lock	
Scanning Frequency (H/V)		15.734 KHz / 59.94 Hz	15.625 KHz / 50 Hz
Horizontal Resolution		650 TV Lines (Color), 700 TV Lines (B/W)	
S/N Ratio		50 dB	
Minimum Illumination (30 IRE, F1.2)	Color	0.03 lx (Sens-up Off), 0.0003 lx (Sens-up Auto), 0.0001 lx (Sens-up x512)	
	B/W	0.002 lx (Sens-up Off), 0.000 03 lx (Sens-up Auto), 0.000 001 lx (Sens-up x512)	
Video Output Signal		1 Vp-p Composite (75 Ω)	
Day & Night		ICR (AUTO / DAY / NIGHT)	
BACKLIGHT		BLC / HSBL / OFF	

Specification

Item	LCV5300-BN	LCV5300-BP
DNR	2D + 3D-DNR	
Electronic Shutter Speed	1/60 to 1/120 000	1/50 to 1/120 000
White Balance	ATW / AUTO / AWC → SET KEY / MANUAL	
Motion Detection	8 Zones	
Privacy Zone Masking	14 Masks	
Digital Effect	OFF / MIRROR / ROTATE / V-FILP	
Communication	Coaxial Communication	
Power Source	DC 12 V / AC 24 V	
Power Consumption	190 mA	
Operation Temperature/ Humidity	-10 °C to 50 °C / 0 % RH to 80 % RH	
Storage Temperature/ Humidity	-20 °C to 60 °C / 0 % RH to 90 % RH	
Dimension (Ø x H)	140 mm x 122 mm	
Weight	710 g	

