



**CAUTION**  
**RISK OF ELECTRIC SHOCK**  
**DO NOT OPEN**

**CAUTION : TO REDUCE THE RISK OF ELECTRIC SHOCK DO NOT REMOVE COVER (OR BACK) NO USER-SERVICEABLE PARTS INSIDE REFER SERVICING TO QUALIFIED SERVICE PERSONNEL.**

- This lightning flash with arrowhead symbol within an equilateral triangle is intended to alert the user to the presence of uninsulated dangerous voltage within the product's enclosure that may be of sufficient magnitude to constitute a risk of electric shock to persons.
- The exclamation point within an equilateral triangle is intended to alert the user to the presence of important operating and maintenance (servicing) instructions in the literature accompanying the product.

**FCC WARNING:** This equipment may generate or use radio frequency energy. Changes or modifications to this equipment may cause harmful interference unless the modifications are expressly approved in the instruction manual. The user could lose the authority to operate this equipment if an unauthorized change or modification is made

**Regulatory Notices For U.S.A**  
 This equipment has been tested and found to comply with the limits for a Class A digital device, pursuant to Part 15 of the FCC Rules. These limits are designed to provide reasonable protection against harmful interference when the equipment is operated in a commercial environment. This equipment generates, uses, and can radiate radio frequency energy and, if not installed and used in accordance with the instruction manual, may cause harmful interference to radio communications. Operation of this equipment in a residential area is likely to cause harmful interference in which case the user will be required to correct the interference at his own expense.

- A suitable conduit entries, knock-outs or glands shall be provided in the cable entries of this product in the end user.
- Caution: Danger of explosion if battery is incorrectly replaced. Replaced only with the same or equivalent type recommended by the manufacturer. Dispose of used batteries according to the manufacturer's instructions.
- Holes in metal, through which insulated wires pass, shall have smooth well rounded surfaces or shall be provided with brushings.

**Warning:** Do not install this equipment in a confined space such as a bookcase or similar unit  
**Warning:** Wiring methods shall be in accordance with the National Electric Code, ANSI/NFPA 70.

**Warning:** This is a class A product. In a domestic environment this product may cause radio interference in which case the user may be required to take adequate measures.

**Warning:** To reduce a risk of fire or electric shock, do not expose this product to rain or moisture  
**Caution:** This installation should be made by a qualified service person and should conform to all local codes.

**Caution:** To avoid electrical shock, do not open the cabinet. Refer servicing to qualified personnel only.

**Caution:** The apparatus should not be exposed to water (dripping or splashing) and no objects filled with liquids, such as vases, should be placed on the apparatus.

## INSTALLATION MANUAL

# Color Camera

Please read this manual carefully before operating your set and retain it for future reference.

### MODELS

LCV1100R-DN / LCV1100R-DP

### CAUTIONS FOR SAFE OPERATION - POWER SUPPLY

This camera must be operated a DC 12V Certified / listed, class 2 power supply.

### Important Safety Instructions

1. **Read these instructions.** - All these safety and operating instructions should be read before the product is operated.
2. **Keep these instructions.** - The safety, operating and use instructions should be retained for future reference.
3. **Heed all warnings.** - All warnings on the product and in the operating instructions should be adhered to.
4. **Follow all instructions.** - All operating and use instructions should be followed.
5. **Do not use this apparatus near water.** - For example: near a bath tub, wash bowl, kitchen sink, laundry tub, in a wet basement; near a swimming pool; etc.
6. **Clean only with dry cloth.** - Unplug this product from the wall outlet before cleaning. Do not use liquid cleaners.
7. **Do not block any ventilation openings. Install in accordance with the manufacturer's instructions.** - Slots and openings in the cabinet are provided for ventilation, to ensure reliable operation of the product, and to protect it from over-heating. The openings should never be blocked by placing the product on a bed, sofa, rug or other similar surface. This product should not be placed in a built-in installation such as a bookcase or rack unless proper ventilation is provided and the manufacturer's instructions have been adhered to.
8. **Do not install near any heat sources such as radiators, heat registers, stoves, or other apparatus (including amplifiers) that produce heat**
9. **Do not defeat the safety purpose of the polarized or grounding-type plug.** A polarized plug has two blades with one wider than the other. A grounding type plug has two blades and a third grounding prong. The wide blade or the third prong are provided for your safety. If the provided plug does not fit into your outlet, consult an electrician for replacement of the obsolete outlet.
10. **Protect the power cord from being walked on or pinched particularly at plugs, convenience receptacles, and the point where they exit from the apparatus.**
11. **Only use attachments/ accessories specified by the manufacturer**
12. **Use only the cart, stand, tripod, bracket, or table specified by the manufacturer, or sold with apparatus. When a cart is used, use caution when moving the cart / apparatus combination to avoid injury from tip-over.**
13. **Unplug this apparatus during lightning storms or when unused for long periods of time.**
14. **Refer all servicing to qualified service personnel.** Servicing is required when the apparatus has been damaged in any way, such as powersupply cord or plug is damaged, liquid has been spilled or objects have fallen into the apparatus, the apparatus has been exposed to rain or moisture, does not operate normally, or has been dropped.



### Disposal of your old appliance



1. When this crossed-out wheeled bin symbol is attached to a product it means the product is covered by the European Directive 2002/96/EC.
2. All electrical and electronic products should be disposed of separately from the municipal waste stream via designated collection facilities appointed by the government or the local authorities.
3. The correct disposal of your old appliance will help prevent potential negative consequences for the environment and human health.
4. For more detailed information about disposal of your old appliance, please contact your city office, waste disposal service or the shop where you purchased the product.

**CE** This product is manufactured to comply with the EMC DIRECTIVE 2004/108/EC and 2006/95/EC.

To disconnect power from the mains, pull out the mains cord plug. When install the product, ensure that the plug is easily accessible.

### ACCESSORIES FURNISHED

1	IR CAMERA		4	SCREW & "L" WRENCH	
2	TOP COVER		5	INSTALLATION MANUAL	
3	BOTTOM BASE		6	TEMPLATE	

### PARTS LIST

NO	PART NAME
1	FRONT GLASS
2	TOP-BALL MOUNT
3	BOTTOM - BALL MOUNT
4	TOP COVER
5	BOTTOM BASE
6	CABLE WITH TERMINAL BLOCK
7	TEMPLATE

### SPECIFICATIONS

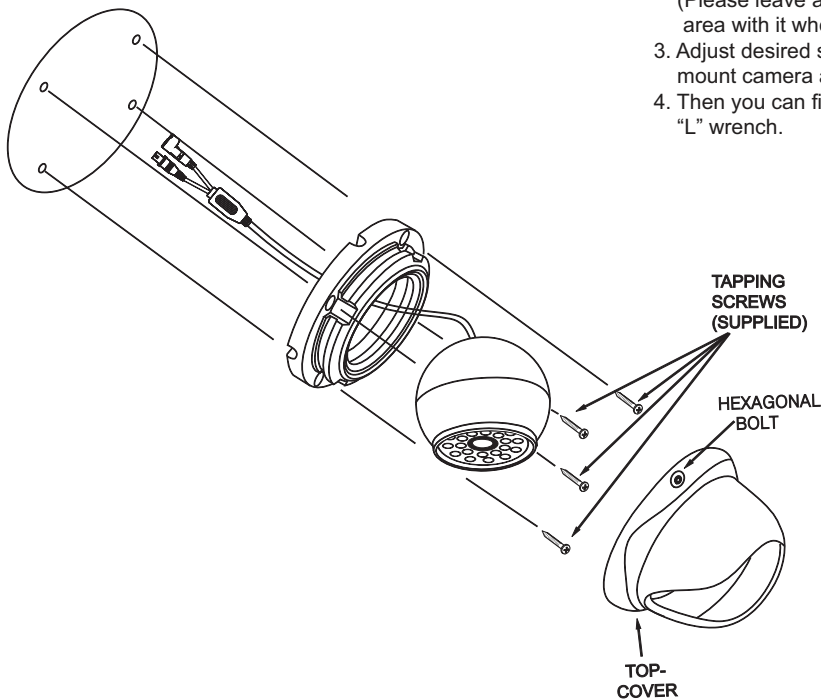
Signal System	NTSC	PAL
Total / Effective Pixels No.	520K / 480K	610K / 570K
Imaging Sensor	1/3" 960H Interline Color CCD ( Super HAD II )	
Horizontal Resolution	650TVL @ Color, 700TVL @ B/W	
Image Signal Processor	E.Effio-E	
Lens Type	3.6mm	
Minimum Illumination (30 IRE)	Color : 0.1Lux, B/W : 0 Lux (IR LED ON)	
Day & Night	AUTO(Photo Sensor)	
Sync. System	Internal	
Scanning Frequency (H/V)	15.734 KHz / 59.94 Hz	15.625 KHz / 50 Hz
S/N Ratio	50dB	
Video Output Signal	1Vp-p Composite (75 Ω)	
IR LED	24EA	
IR OPTIMIZER	AUTO	
Exposure	ELC	
Auto Gain Control	AUTO	
Electronic Shutter Speed	Auto (1/60 ~ 1/100,000)	Auto (1/50 ~ 1/100,000)
White Balance	Auto (1,800 °K ~ 10,500 °K)	
Power Source	DC 12V (4.5W)	
Operating Temperature/Humidity	-10°C ~ 50°C / 0% ~ 80%RH	
Storage Temperature/Humidity	-20°C ~ 60°C / 0% ~ 85%RH	
Dimension	(100 + 70)Ø x 70(H) (mm)	
Weight	430 g	

## INSTALLATION

### Installing the camera on a ceiling or wall

1. Affix the mounting template(supplied) to the mounting surface.

- Secure the camera mounting base to the position where the camera should be mounted with the supplied tapping screws.  
(Please leave a good position of cable not to interrupt the surveillance area with it when installing.)
- Adjust desired scene by turning and moving the direction of the ball mount camera and cover the top-cover.
- Then you can fix it to screw-down the hexagonal bolt with the supplied "L" wrench.



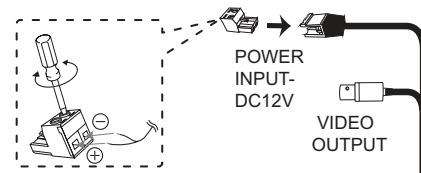
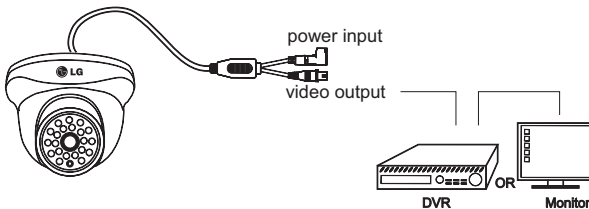
## CONNECTION & ADJUSTMENT

### CONNECTION

Connect power jack in green to the power supply and video jack in yellow to the monitor(or DVR if available)

### Connecting power source

Connect a power source to the input terminal correctly. You can see "+", "-" on the plug of the cable. You can refer to connect a power source to the power input terminal as shown below.



### 1. Having a better view , adjust the camera

- Rotate angle : 360°
- Panning angle : 360°
- Tilting angle : 75°

### 2. Lens Focus Adjustment

- \* The Lens is focused far from 1M when ex-factory. Therefore we recommend the lens focus as is.



## WARNINGS & CAUTIONS

The information is provided to ensure your safety and to prevent any losses, financial or otherwise. Please read it carefully and use the product accordingly.

- \* For product inquires, please contact the retail shop where you bought the camera. The use of equipment such as an aerial ladder while providing after-sales service shall be at your expense.

### ★ NOTES

- \* Please make sure the product is installed appropriate places where secured from flood, such as under the eaves, to operate properly.
- \* This product is certified as IP66 standard. However, if there is any flood concerns, you shall ask the service center if it would be OK to install where you want.

P/N : COV0000000