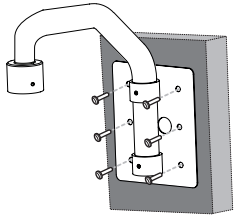
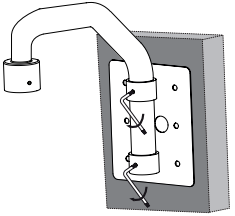


Installation with LW9424/9422 and LNP2810T models

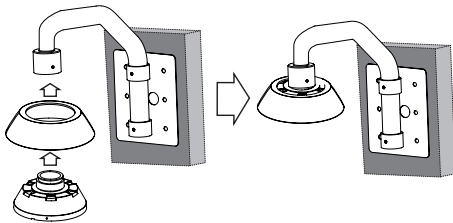
1 Install the Parapet Mount Bracket to the ceiling or wall.



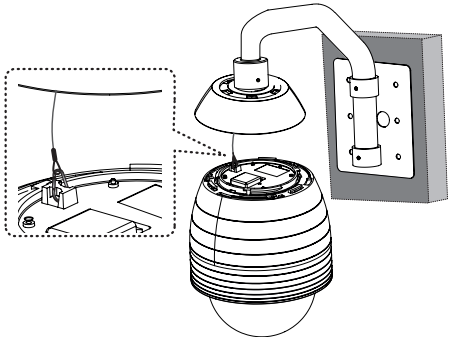
2 Use the supplied wrench to tighten the screws. (M6 x L5 mm, 2 ea)



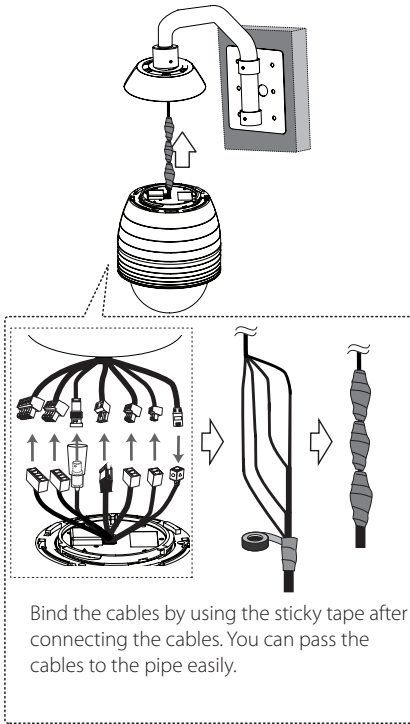
3 Install the PIPE Installation Bracket as shown below.



4 Connect the safety cable to the camera in order to prevent a camera from falling.

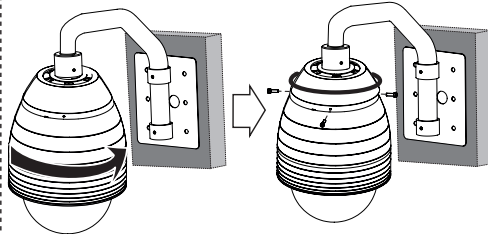


5 Connect the cable to the camera jack.



Bind the cables by using the sticky tape after connecting the cables. You can pass the cables to the pipe easily.

6 Assemble the camera to the PIPE Installation Bracket by turning it clockwise. Tighten the M3 SAMS Screws (M5 x L12 mm, 3 ea) and then align the cover adaptor and main body.



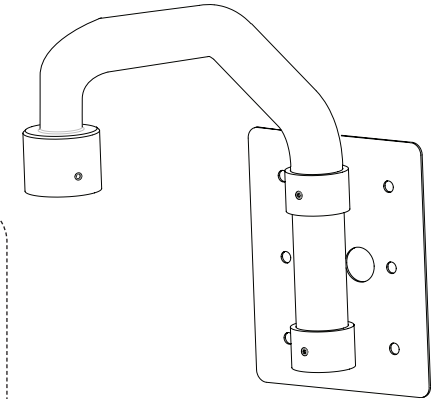
Installation Guide

Parapet Mount Bracket

Model: LBK1100R

Accessories

- Installation manual
- Screw accessory
 - Plastic Anchor (4 ea)
 - Wrench(M5) (1 ea), (M6) (1 ea)
 - Screw Machine(M6 x L12.0 mm) (6 ea)
 - Screw Machine (M5 x L12.0 mm) (3 ea)
 - Screw Machine (M6 x L5.0 mm) (2 ea)



Getting Started

Introduction

This product is designed for the parapet mount of LG Dome camera on the ceiling or wall.

The installable LG Dome Camera

- LT713, LT913, LT723, LT923, LW9226, LW9228, LCP2850, LCP3750(T), LNP3700T, LNP2800, LW9424, LW9422 and LNP2810T models
- Refer to the owner's manual of LG Dome Camera for the compatibility of this product.
- Actual set may be differ from the picture described in this manual.

WARNING:

This product contains chemicals known to the State of California to cause cancer and birth defects or reproductive harm. **Wash hands after handling.**



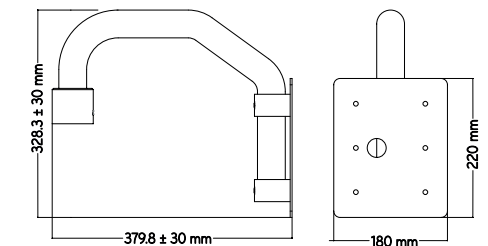
MFL67644623

Installation Precautions

Make sure that the installation place can endure at least 4 times of the total weight of the Parapet Mount Bracket, and Camera.

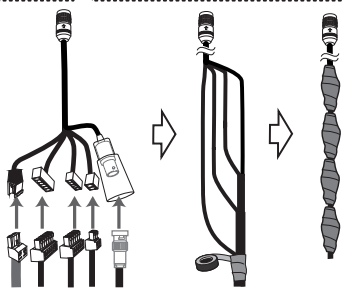
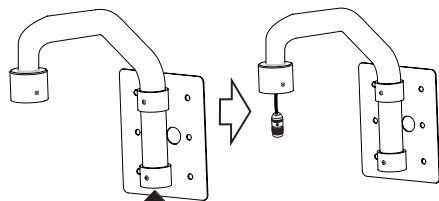
Specifications

- Net Weight: 1.3 kg
- Material: Aluminum
- Operating Temperature: -50 °C to 60 °C
- Operating Humidity: 0 to 100 %
- Dimensions:



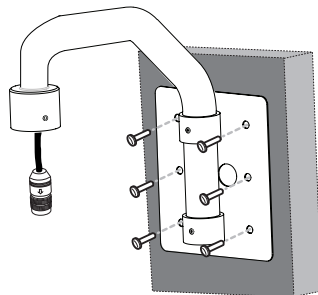
Installation with LT713/913/723/923, LW9226/8, LCP2850/3750(T) and LNP3700T/2800 models

- 1** Connect the connection cable to the Parapet Mount Bracket.

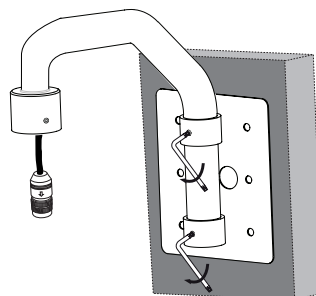


Bind the cables by using the sticky tape after connecting the cables. You can pass the cables to the pipe easily.

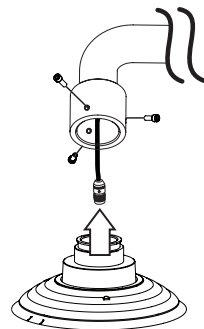
- 2** Install the Parapet Mount Bracket to the ceiling or wall.



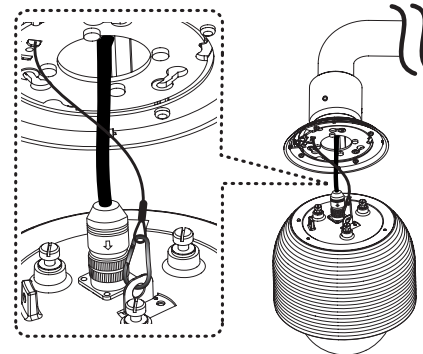
- 3** Use the supplied wrench to tighten the screws. (M6 x L5 mm, 2 ea)



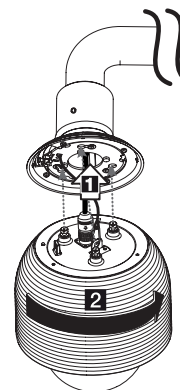
- 4** Install the PIPE Installation Bracket to the Parapet Mount Bracket.



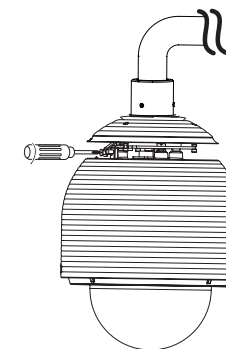
- 5** Connect the connection cable and the safety cable to the camera body.



- 6** Attach the camera to the PIPE Installation Bracket by following step **1** and **2**. Align the locking point of the Parapet Mount Bracket and the camera body.



- 7** Tighten the locking screw.



- 8** Assemble the PIPE Installation Bracket as shown below.

