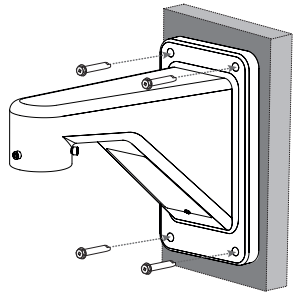
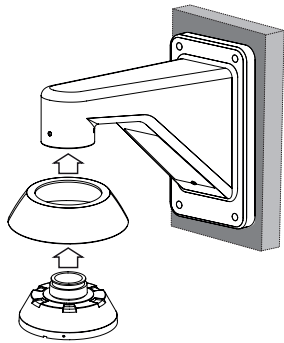


# Installation with LW9424/9422 and LNP2810T models

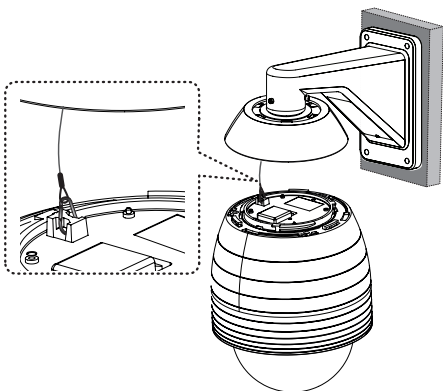
1 Install the Wall Mount Bracket to the wall.



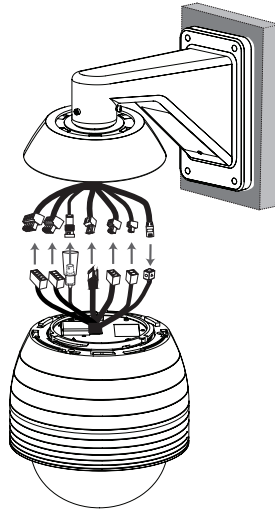
2 Install the PIPE Installation Bracket as shown below.



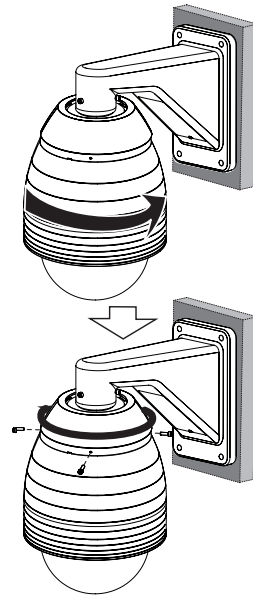
3 Connect the safety cable to the camera body in order to prevent a camera from falling.



4 Connect the cable to the camera jack.



5 Assemble the camera to the PIPE Installation Bracket by turning it clockwise. Tighten the M3 SAMS Screws and then align the cover adaptor and main body.

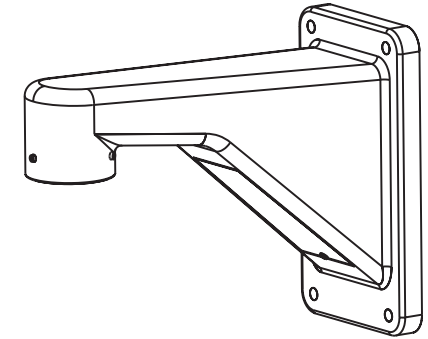


## Installation Guide Wall Mount Bracket

Model: LBK1000W

### Accessories

- Installation manual
- Screw accessory
  - Wrench(M5) (1 ea)
  - Wrench(M10) (1 ea)
  - Hexagon head bolt (M10 x L50.0 mm) (4 ea)



## Getting Started

### Introduction

This product is designed for the wall mount of LG Dome camera on the wall.

### The installable LG Dome Camera

- LT713, LT913, LT723, LT923, LW9226, LW9228, LCP2850, LCP3750(T), LNP3700T, LNP2800, LW9424, LW9422 and LNP2810T models
- Refer to the owner's manual of LG Dome Camera for the compatibility of this product.
- Actual set may differ from the picture described in this manual.

### WARNING:

This product contains chemicals known to the State of California to cause cancer and birth defects or reproductive harm. **Wash hands after handling.**



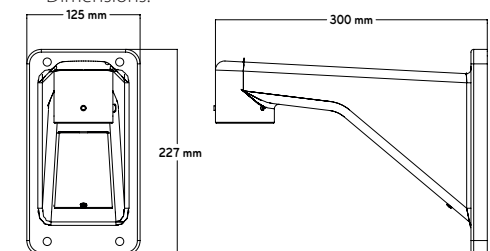
MFL67644621

### Installation Precautions

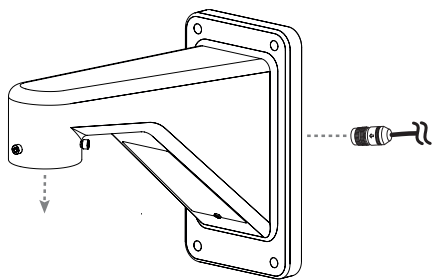
Make sure that the installation place can endure at least 4 times of the total weight of the Wall Mount Bracket and Camera.

### Specifications

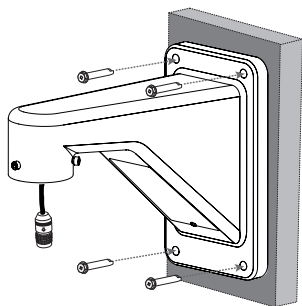
- Net Weight: 1.1 kg
- Material: Aluminum
- Operating Temperature: -50 °C to 60 °C
- Operating Humidity: 0 to 100 %
- Dimensions:



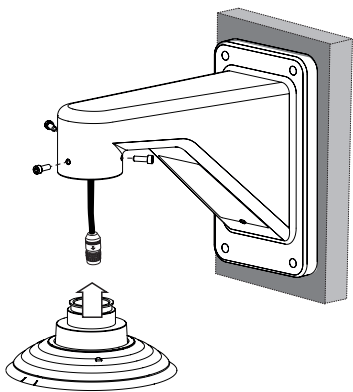
# Installation with LT713/913/723/923, LW9226/8, LCP2850/3750(T) and LNP3700T/2800 models



**1** Pass the connection cable through the Wall Mount Bracket.

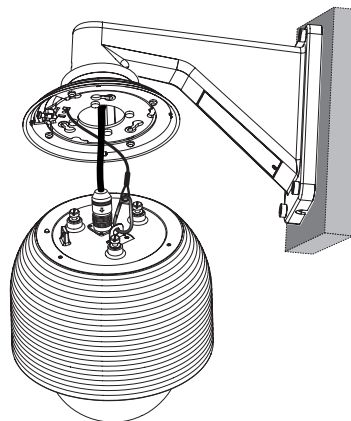


**2** Install the Wall Mount Bracket to the wall.

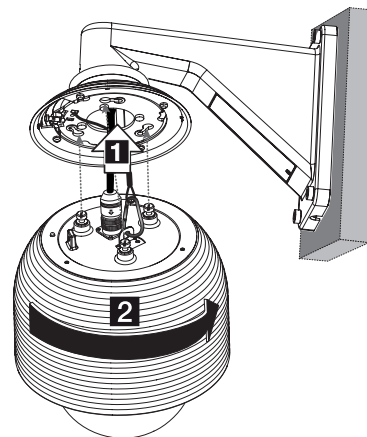


**3** Install the PIPE Installation Bracket to the Wall Mount Bracket.

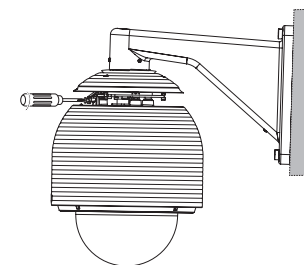
**4** Connect the connection cable and the safety cable to the camera body.



**5** Attach the camera to the PIPE Installation Bracket by following step **1** and **2**. Align the locking point of the PIPE Installation Bracket and the camera body.



**6** Tighten the locking screw.



**7** Assemble the PIPE Installation Bracket as shown below.

