


OWNER'S MANUAL Color Video Camera

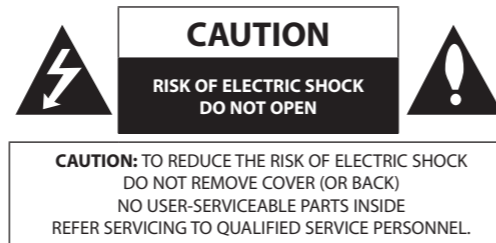
Please read this manual carefully before operating your set and retain it for future reference.

MODEL
L5223-BN
L5223-BP
L5223 Series

P/NO : MFL67259810(A)

Important Safety Instructions

- Read these instructions.
 - Keep these instructions.
 - Heed all warnings.
 - Follow all instructions.
 - Do not use this apparatus near water.
 - Clean only with dry cloth.
 - Do not block any ventilation openings. Install in accordance with the manufacturer's instructions.
 - Do not install near any heat sources such as radiators, heat registers, stoves, or other apparatus (including amplifiers) that produce heat.
 - Do not defeat the safety purpose of the polarized or grounding-type plug. A polarized plug has two blades with one wider than the other. A grounding type plug has two blades and a third grounding prong. The wide blade or the third prong are provided for your safety. If the provided plug does not fit into your outlet, consult an electrician for replacement of the obsolete outlet.
 - Protect the power cord from being walked on or pinched particularly at plugs, convenience receptacles, and the point where they exit from the apparatus.
 - Only use attachments/accessories specified by the manufacturer.
 - Use only with the cart, stand, tripod, bracket, or table specified by the manufacturer, or sold with the apparatus. When a cart is used, use caution when moving the cart/apparatus combination to avoid injury from tip-over.
- 
- Unplug this apparatus during lightning storms or when unused for long periods of time.
 - Refer all servicing to qualified service personnel. Servicing is required when the apparatus has been damaged in any way, such as power-supply cord or plug is damaged, liquid has been spilled or objects have fallen into the apparatus, the apparatus has been exposed to rain or moisture, does not operate normally, or has been dropped.



This lightning flash with arrowhead symbol within an equilateral triangle is intended to alert the user to the presence of uninsulated dangerous voltage within the product's enclosure that may be of sufficient magnitude to constitute a risk of electric shock to persons.



The exclamation point within an equilateral triangle is intended to alert the user to the presence of important operating and maintenance (servicing) instructions in the literature accompanying the product.

FCC WARNING: This equipment may generate or use radio frequency energy. Changes or modifications to this equipment may cause harmful interference unless the modifications are expressly approved in the instruction manual. The user could lose the authority to operate this equipment if an unauthorized change or modification is made.

REGULATORY INFORMATION: FCC Part 15

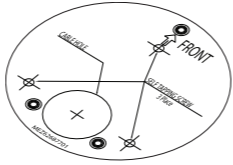
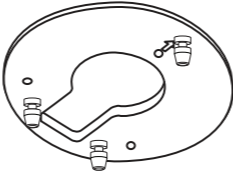
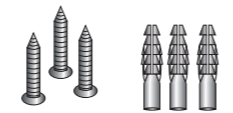
This equipment has been tested and found to comply with the limits for a Class A digital device, pursuant to Part 15 of the FCC Rules. These limits are designed to provide reasonable protection against harmful interference when the equipment is operated in a commercial environment.

This equipment generates, uses, and can radiate radio frequency energy and, if not installed and used in accordance with the instruction manual, may cause harmful interference to radio communications.

Operation of this equipment in a residential area is likely to cause harmful interference in which case the user will be required to correct the interference at his own expense.

- A suitable conduit entries, knock-outs or glands shall be provided in the cable entries of this product in the end user.

Accessories

Installation sticker	
Camera mounting bracket	
M3 Fixing screws	

- Caution: Danger of explosion if battery is incorrectly replaced. Replaced only with the same or equivalent type recommended by the manufacturer. Dispose of used batteries according to the manufacturer's instructions.
- Holes in metal, through which insulated wires pass, shall have smooth well rounded surfaces or shall be provided with brushings.

This Class A digital apparatus complies with Canadian ICES-003.
Cet appareil numérique de la classe A est conforme à la norme NMB-003 du Canada.

Warning: Do not install this equipment in a confined space such as a bookcase or similar unit.

Warning: Wiring methods shall be in accordance with the National Electric Code, ANSI/NFPA 70.

Warning: This is a class A product. In a domestic environment this product may cause radio interference in which case the user may be required to take adequate measures.

Warning: To reduce a risk of fire or electric shock, do not expose this product to rain or moisture.

Caution: This installation should be made by a qualified service person and should conform to all local codes.

Caution: To avoid electrical shock, do not open the cabinet. Refer servicing to qualified personnel only.

Caution: The apparatus shall not be exposed to water (dripping or splashing) and no objects filled with liquids, such as vases, shall be placed on the apparatus.

To disconnect power from mains, pull out the mains cord plug. When installing the product, ensure that the plug is easily accessible.

Specification

Item	L5223 Series	
Signal System	PAL	NTSC
Total Pixels	470 000 Pixels	410 000 Pixels
Effective Pixels	440 000 Pixels	380 000 Pixels
Image Device	6 mm CCD	
DSP	XDI-S2	
Lens	2.8 mm to 11 mm Vari-focal lens	
Digital Zoom	X8	
IRIS Control	DC / ELC	
Sync. System	Internal	
Scanning Frequency (H/V)	15.625 kHz / 50 Hz	15.734 kHz / 59.94 Hz
Horizontal Resolution	600 TV Lines	
S/N Ratio	52 dB	
Minimum Illumination (30 IRE)	0.1 lx @ Sens-up OFF, F1.2, Color 0.00003 lx @ Sens-up Auto, F1.2, BW	
Control Method	Inner Key Button	
Video Output Signal	1 Vp-p Composite (75 Ω)	
Day & Night	DAY / NIGHT / AUTO	
BACKLIGHT	OFF / WDR / BLC / HSBLC	
DNR	3D-DNR (Off/Low/Middle/High)	

CE LG Electronics hereby declares that this/these product(s) is/are in compliance with the essential requirements and other relevant provisions of Directive 2004/108/EC, 2006/95/EC, and 2009/125/EC.
European representative :
LG Electronics Service Europe B.V.
Veluwezoom 15, 1327 AE Almere,
The Netherlands (Tel : +31-(0)36-547-8888)

Disposal of your old appliance



- When this crossed-out wheeled bin symbol is attached to a product it means the product is covered by the European Directive 2002/96/EC.
- All electrical and electronic products should be disposed of separately from the municipal waste stream via designated collection facilities appointed by the government or the local authorities.
- The correct disposal of your old appliance will help prevent potential negative consequences for the environment and human health.
- For more detailed information about disposal of your old appliance, please contact your city office, waste disposal service or the shop where you purchased the product.

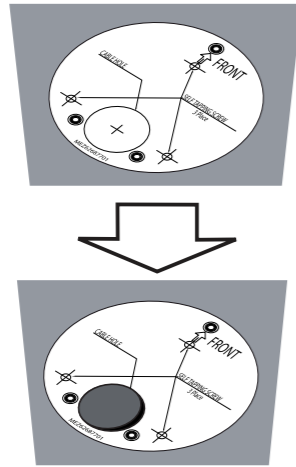
EEE Compliance with Directive. (For Turkey only)

Item	L5223 Series	
Auto Gain Control	Off / Low / Middle / High	
Electronic Shutter Speed	1/50 to 1/100 000	1/60 to 1/100 000
Electronic Sensitivity	OFF/Auto (X2, X3, X4, ..., X128)	
White Balance	ATW / AWC → PUSH / Manual	
Motion Detection	4 Zones	
Privacy Zone Masking	8 Masks	
Stabilizer (EIS)	On / Off	
User Color Mode	STANDARD/COOL/WARM/VIVID	
Power Source	DC 12 V / AC 24 V	
Power Consumption	290 mA	
Operation Temp.	-10 °C to 50 °C	
Storage Temp.	-20 °C to 60 °C	
Operation Humidity	0 % RH to 80 % RH	
Storage Humidity	0 % RH to 85 % RH	
Weight	350 g	
Dimension (Ø x H)	140 mm x 87.3 mm	

Installation Guide

1

Using the installation sticker as a guide, make a hole through the ceiling.



<ITALIANO> Utilizzando l'adesivo di installazione come guida, fare un foro nel soffitto.

<FRANÇAIS> En vous servant de la vignette d'installation comme guide, percez un trou dans le plafond.

<ESPAÑOL> Use la pegatina de instalación como guía, haga un agujero en el techo.

<PORTUGUÊS> Usando a etiqueta de instalação como guia, faça um furo através do teto.

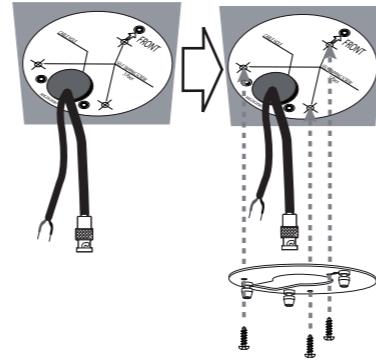
<NEDERLANDS> Gebruik de installatiesticker als patroon om een gat door het plafond te boren.

<POLSKI> Używając szablonu instalacyjnego wykonać otwór w suficie.

<ČEŠTINA> S použitím instalační nálepky jako šablony vyvrtejte otvor do stropu.

2

Install the camera mounting bracket to the ceiling.



<ITALIANO> Installare la staffa per il montaggio della videocamera al soffitto.

<FRANÇAIS> Fixez le support de montage de la caméra au plafond.

<ESPAÑOL> Instale el soporte de la cámara en el techo.

<PORTUGUÊS> Instale o suporte de montagem da câmera no teto.

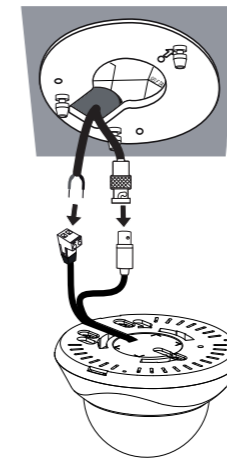
<NEDERLANDS> Monteer de camerabeugel aan het plafond.

<POLSKI> Zainstalować na suficie wspornik montażowy kamery.

<ČEŠTINA> Instalujte mechanismus pro uchycení kamery na strop.

3

Connect the cables to the cable jacks of the camera body.



<ITALIANO> Collegare i cavi alle prese sul corpo della videocamera.

<FRANÇAIS> Raccordez les câbles aux prises correspondantes du corps de la caméra.

<ESPAÑOL> Conecte los cables en los terminales del cuerpo de la cámara.

<PORTUGUÊS> Conecte os cabos na tomada de cabos do corpo da câmera.

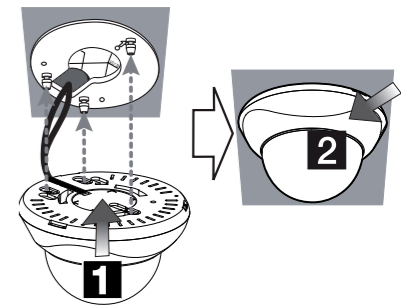
<NEDERLANDS> Bevestig de kabels in de kabelingen van het camerahuis.

<POLSKI> Podłączyć kable do gniazd znajdujących się w obudowie kamery.

<ČEŠTINA> Zapojte kabely do konektorů těla kamery.

4

Assemble the camera and mounting bracket as illustrated step 1 and 2.



<ITALIANO> Montare la videocamera e la staffa come illustrato nei passi 1 e 2.

<FRANÇAIS> Assemblez la caméra et le support de montage comme illustré aux étapes 1 et 2.

<ESPAÑOL> Monte la cámara y el soporte como se muestra en los pasos 1 y 2.

<PORTUGUÊS> Monte a câmera e o suporte de montagem conforme mostrado nos passos 1 e 2.

<NEDERLANDS> Monteer de camera en bevestigingssteun met de volgende stap 1 en 2.

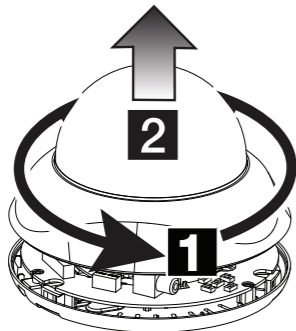
<POLSKI> Zamontować kamerę na wsporniku montażowym tak, jak to pokazano na ilustracji kroku 1 oraz 2.

<ČEŠTINA> Připevněte kameru a mechanismus pro uchycení jak je vyobrazeno v kroku 1 a 2.

Camera Adjustment

1

Remove the Dome cover.



<ITALIANO> Rimuovere la copertura della cupola.

<FRANÇAIS> Déposez le capot de dôme.

<ESPAÑOL> Retire la tapa del Domo.

<PORTUGUÊS> Remover a tampa do domo.

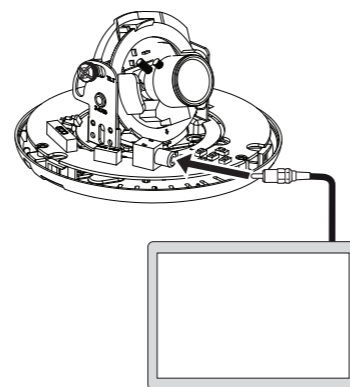
<NEDERLANDS> Verwijder de bolafsluiting.

<POLSKI> Zdejmij pokrywę kopuły.

<ČEŠTINA> Odstraňte kopulový kryt.

2

Connect a portable monitor to the video jack.



<ITALIANO> Collegare un monitor portatile alla presa video.

<FRANÇAIS> Raccordez un moniteur portable à la prise vidéo.

<ESPAÑOL> Conecte un monitor portátil a la conexión de vídeo.

<PORTUGUÊS> Conecte o monitor portátil na tomada de vídeo.

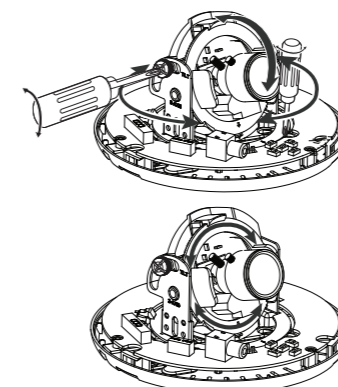
<NEDERLANDS> Sluit een draagbare monitor op de video-uitgang aan.

<POLSKI> Podłącz monitor przenośny do złącza video (video jack).

<ČEŠTINA> Zapojte přenosný monitor ke konektoru videa.

3

Adjust the Pan/Tilt position and azimuth angle of the camera.



<ITALIANO> Regolare la posizione di inclinazione/ripresa e l'angolo azimutale della videocamera.

<FRANÇAIS> Réglez l'assiette/inclinaison et l'angle d'azimut de la caméra.

<ESPAÑOL> Ajuste la posición panorámica/inclinación y el ángulo de azimut de la cámara.

<PORTUGUÊS> Ajustar a posição de girar e inclinar e o ângulo azimut da câmera.

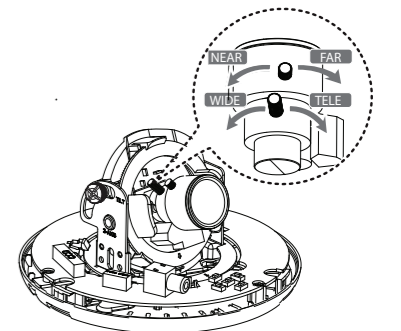
<NEDERLANDS> Pas de panorama/schuine positie en azimuthoek van de camera aan.

<POLSKI> Ustaw panoramę/pochylenie oraz kąt obrotu kamery.

<ČEŠTINA> Nastavte panoramatickou pozici/náklon kamery a úhel azimutu.

4

Adjust the zoom and focus.



<ITALIANO> Regolare lo zoom e la messa a fuoco.

<FRANÇAIS> Réglez le zoom et la mise au point.

<ESPAÑOL> Ajuste el zoom y el enfoque.

<PORTUGUÊS> Ajuste o zoom e o foco.

<NEDERLANDS> Stel de zoomstand en de scherpstelling van de camera in.

<POLSKI> Ustaw przybliżenie oraz ostrość.

<ČEŠTINA> Nastavte přiblížení/oddálení a zaostření.