

# HDMI/DVI Extender via Two CAT5e/6

**XTENDEX®**

## Extend an HDMI or DVI Display up to 300 Feet (91 Meters) Away from a Video Source

- Transmits HDMI signal over two CAT5e/6 cables
- Supports HDTV resolutions to 1080i and computer resolutions to 1920x1080
- HDMI features supported:
  - 12-bit Deep Color
  - x.v.Color
  - Supports digital audio format, such as LPCM / Dolby Digital (AC-3) / DSD
  - Bandwidth up to 225 MHz (6.75 Gbps)
  - Lip Sync
  - Supports the DDC2B protocol
- HDCP compliant
- Supports the DDC2B protocol
- Only one power supply to power both the local and remote units



## Specifications

### Local Unit

- Compatible with a computer or HDTV video source with HDMI output.
- One female HDMI connector:
  - Not compatible with nVidia Quadro FX series video cards.
- One female RJ45 port for sending high definition video/audio signals.
- One female RJ45 port for sending DDC signal.
- HDCP 1.3 compliant.

### Remote Unit

- One female HDMI connector for display.
- One female RJ45 port for receiving high definition video/audio signals.
- One female RJ45 port for receiving DDC signal.
- Supports HDTV resolutions to 1080i and computer resolutions to 1920x1080.

### Power

- Local unit: powered from remote unit through CAT5e/6 cable.
- Remote unit: 110 or 220 VAC at 50 or 60 Hz via AC adapter (US AC adapter included.)
- Power consumption:
  - Local unit: powered from remote unit.
  - Remote unit: 5W

### Environmental

- Operating temperature: 5 to 130°F (-15 to 55°C).
- Storage temperature: -20 to 140°F (-30 to 60°C).
- Operating/storage relative humidity: 5 to 90% non-condensing RH.

### Dimensions

- WxDxH: 1.8x3.3x0.9 in (46x84x23 mm)

### Regulatory Approvals

- CE, FCC, RoHS

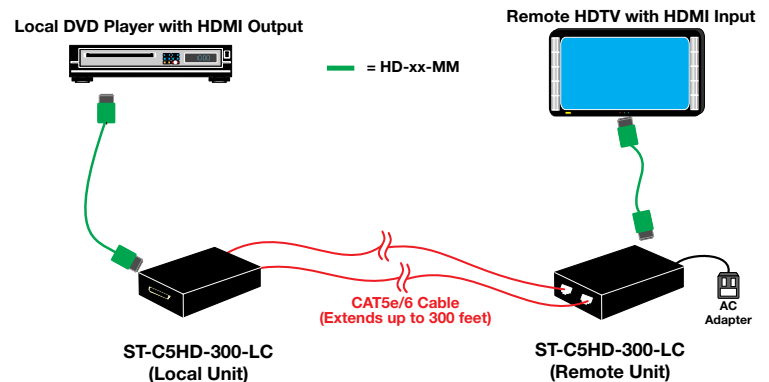
### MTBF

- 20,000 hrs.

### XTENDEX® ST-C5HD-300-LC (Local and Remote Unit)

- **Low Cost**
- **Extend to 300 ft (91 m) via Two CAT5e/6 Cables**
- **Only One Power Supply Required**

The XTENDEX® HDMI/DVI Extender transmits digital video and audio signals up to 300 feet (91 meters) using two CAT5e/6 cables. Each video extender consists of a local unit that connects to an HDMI/DVI source and a remote unit that connects to an HDMI/DVI display.



# HDMI/DVI Extender via Two CAT5e/6

**XTENDEX®**

**Extend an HDMI or DVI Display up to 300 Feet (91 Meters) Away from a Video Source**

## Cables

- Use HD-xx-MM cable to connect an HDMI source or display.
- Use DVI-HD-xx-MM cable to connect a DVI source or display.
- Use CAT5e/6 solid straight through cable for TIA/EIA-568B wiring terminated with standard RJ45 connectors.
- Cables not included.

Distances and Resolutions for CAT5e and CAT6 Cables			
Cable	Distance	Maximum Standard Resolution	Maximum HDTV Resolution
CAT5e UTP	100 ft (30 m)	1920x1080 at 60Hz	1080i
	150 ft (46 m)	1280x1024 at 60Hz	1080i
	200 ft (61 m)	1024x768 at 60Hz	1080i
	250 ft (76 m)	800x600 at 60Hz	480p
CAT6 (UTP)	100 ft (30 m)	1920x1080 at 60Hz	1080i
	200 ft (61 m)	1280x1024 at 60Hz	1080i
	250 ft (76 m)	1024x768 at 60Hz	1080i
	275 ft (84 m)	800x600 at 60Hz	480p
CAT6 (STP)	100 ft (30 m)	1920x1080 at 60Hz	1080i
	200 ft (61 m)	1280x1024 at 60Hz	1080i
	300 ft (91 m)	1024x768 at 60Hz	480p