

# Rackmount VGA USB + PS/2 KVM Drawer, up to 1920x1200 Resolution

**RACKMUX®**

## VGA USB + PS/2 KVM Drawer provides space-saving convenient control.

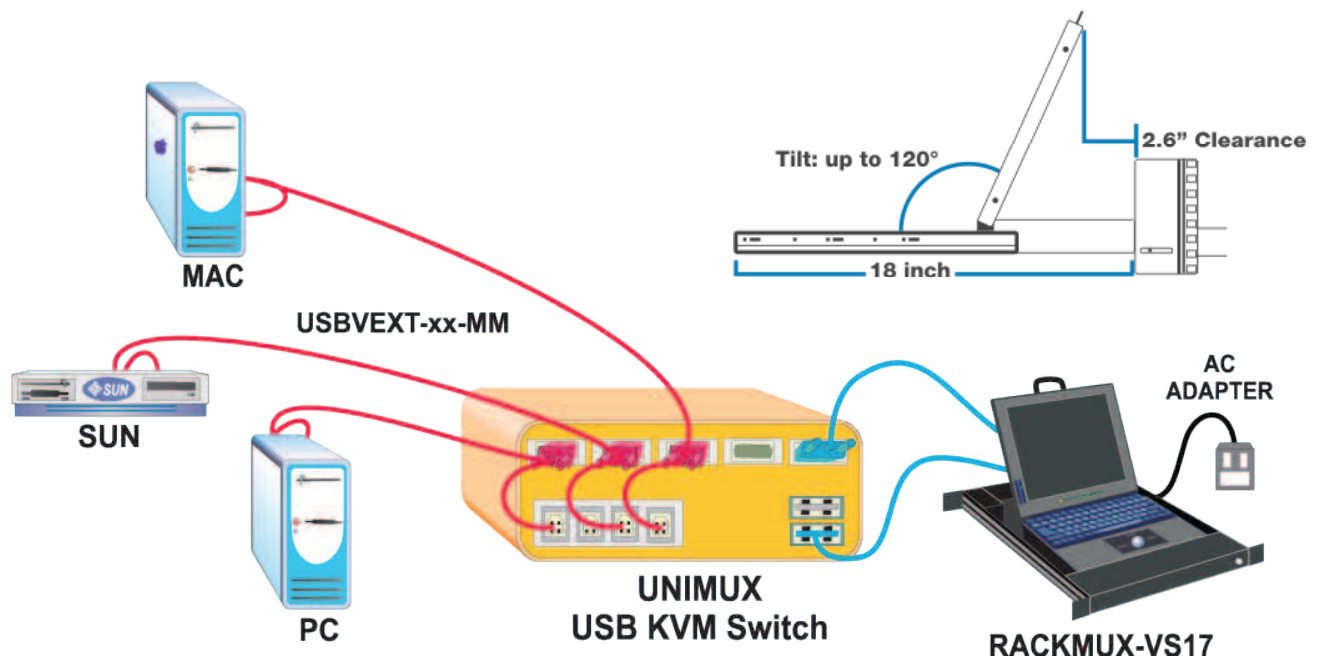
- Available with 15" or 17" Active Matrix LCD flat panel VGA monitor.
  - Optional ultra high resolution 1920x1200 WUXGA 17.1" monitor available.
  - Tilt LCD up and back to adjust to any comfortable viewing angle to 120°
- Compatible with USB and PS/2 computers.
- Torque-friction hinges-monitor does not wobble, spring, or slam shut.
- Compact, heavy-duty tactile keyboard.
  - Available with 17-key numeric keypad or large padded wrist-rest.
- Rugged steel construction with durable powder coat finish.
- Equipped with On Screen Display (OSD).
- Designed to be a one-person job when installing the drawer.
- Drawer locks into place when open to prevent it from sliding in and out of the rack.
  - Front quick-release latches for pushing the drawer back into the rack.
- LCD auto-shutoff in closed position
- Internal cable arm provides proper cable management for sliding the drawer open and closed.
- Front panel security lock.
- Front panel USB port to connect an external USB device, such as a flash drive.
- Available with optional mounting bracket for two-post style telco rack.



**RACKMUX-V17-N**

- **Single-Person Installation**
- **Optional Hi-Res 1920x1200 17.1" LCD**

The RACKMUX® VGA USB + PS/2 KVM Drawer combines a rackmount LCD monitor, keyboard, and touchpad mouse in a space-saving 1RU industrial strength drawer.



# Rackmount VGA USB + PS/2 KVM Drawer, up to 1920x1200 Resolution

**RACKMUX®**

**VGA USB + PS/2 KVM Drawer provides space-saving convenient control.**

## Specifications

### Host Interface

- Compatible with PS/2, UNIX and USB computers.
- Multiplatform support: Windows 2000/XP/Vista/Server 2000/2003/2008, Solaris, Linux, FreeBSD, and MAC OS 9/10.
- One female 15-pin HD, one female USB Type B, and two female 6-pin miniDIN connectors.
- Use with NTI Multi-Platform KVM Switches to control multiple PC, SUN and MAC computers.

### Monitor

- Forward-folding 15" or 17" Active Matrix TFT LCD flat panel VGA monitor.
- Resolution:
  - RACKMUX-V15(-N): 1024x768
  - RACKMUX-V17(-N): 1280x1024
  - RACKMUX-V17HR-N: 1920x1200
- Tilt: up to 120°.
- Frequency:
  - RACKMUX-V15(-N), RACKMUX-V17(-N):
    - ◆ Horizontal: 31 to 80 KHz
    - ◆ Vertical: 55 to 76 Hz.
  - RACKMUX-V17HR-N:
    - ◆ Horizontal: 30 to 80 KHz
    - ◆ Vertical: 56 to 75 KHz
- Brightness:
  - RACKMUX-V15(-N): 250 nits
  - RACKMUX-V17(-N): 300 nits
  - RACKMUX-V17HR-N: 275 nits
- Contrast Ratio:
  - RACKMUX-V15(-N), RACKMUX-V17(-N): 500:1
  - RACKMUX-V17HR-N: 800:1
- Supports DDC1 and DDC2B protocols.
- OSD controls for brightness, contrast, phase, pitch, Horiz- and Vert-center alignment, zoom and color adjustment.

### Cables

- 6-foot (1.8-meter) 15-pin HD VGA male to male cable included.
- 6-foot (1.8-meter) USB Type A male to USB Type B male cable included.
- 6-foot (1.8-meter) dual 6-pin miniDIN male to male keyboard/mouse cable included.
- 6-foot (1.8-meter) power supply cable included.

### Devices

- Keyboard available in: English (US).
  - RACKMUX-V15/V17: 83-key (US) keyboard with wrist-pad.
  - RACKMUX-V15-N, RACKMUX-V17(HR)-N: 100-key (US) keyboard with numeric keypad.
- Three button touchpad mouse.
- Front panel USB 1.1 port to connect external USB devices.
  - Female USB Type A connector.
  - KVM drawer must be connected to a USB-enabled computer.

### Power

- 110 or 220 VAC at 50 or 60 Hz via IEC connector.
- Available power cord lengths: 1/1.5/3/6 feet
- Power Consumption: 30 W
- Maximum Inrush Current: 30A

### Environmental

- Operating temperature: 32 to 104°F (0 to 40°C).
- Storage temperature: -4 to 140°F (-20 to 60°C).
- Operating and Storage Relative Humidity: 20 to 90% non-condensing RH.

### Dimensions

- WxDxH: 19x23.9x1.75 Inches. (483x607x44 millimeters)
  - Handle adds an additional 1.5" (38 mm) to the depth when monitor is in closed position.
- Weight: 26 lbs. (12 kg)
- Drawer is adjustable to various rack depths from 24" (610 mm) deep to 40" (1,016 mm) deep.
- Rack ears are available for two post style telco rack mounting, select part number RL-T15-TEL.

### Regulatory Approvals

- CE, RoHS

### Warranty

- Two years

VGA USB + PS/2 KVM Drawers with VGA Monitor			
NTI Part #	Features	Screen Size	Video Resolution
RACKMUX-V15	VGA USB + PS/2 KVM Drawer	15"	1024x768
RACKMUX-V15-N	VGA USB + PS/2 KVM Drawer Numeric Keypad	15"	1024x768
RACKMUX-V17	VGA USB + PS/2 KVM Drawer	17"	1280x1024
RACKMUX-V17-N	VGA USB + PS/2 KVM Drawer Numeric Keypad	17"	1280x1024
RACKMUX-V17HR-N	VGA USB + PS/2 KVM Drawer Numeric Keypad	17.1"	1920x1200