

## Extend a VGA monitor up to 600 feet away from a computer

- Ideal solution for digital signage applications.
- Supports local and remote VGA monitors.
- Supports resolutions to 1920x1440.
- Available with optional stereo audio or RS232 control.
- Built-in surge protection.
- Sharpest and clearest VGA quality over CAT5 of any manufacturer.
- Optional 2-port local unit available – extend two remote units up to 600 feet. (183 meters)
  - Local VGA monitor not available on 2-port local units.
- Optional 2-port remote unit available – connect two monitors from one remote unit.
- Use in-house CAT5/5e/6/6a phone wiring to locate a monitor remotely.
- Optional VESA mounting bracket is available for mounting the remote unit to the back of a flat panel monitor.



**XTENDEX® ST-C5V-600 (Remote & Local Unit)**

- **Audio**
- **RS232**
- **Local Unit Supporting Two Remote Monitors**

The XTENDEX® VGA Extender transmits VGA video up to 600 feet away from a computer using CAT5/5e/6/6a cable. Each video extender consists of a local unit that connects to a computer and also supplies video to a local monitor, and a remote unit that connects to a monitor.

## Specifications

### Local Unit

#### Host Connection

- Supports a PC, SUN, MAC or NTI switch with VGA video.
- Multiplatform support: Windows 2000/XP/Vista/7, Windows Server 2000/2003/2008, Solaris, Linux, FreeBSD, and MAC OS 9/10.
- Male 15-pin HD connector for computer connection.
- Optional RS232 support - female 9-pin D connector.
- Optional stereo audio support - 3.5 mm stereo plug.
- ST-2C5V(A/RS)-L-600: female 15-pin HD connector for downloading DDC table for remote monitor.

#### Local Access

- Crisp and clear 1920x1440 video resolution.
- Female 15-pin HD connector for local VGA monitor.
- Video signal to noise ratio: >55dB
- Distortion: 65dB at 5MHz
- Optional RS232 support - male 9-pin D connector.
- Optional stereo audio support - 3.5 mm stereo jack.
- Local VGA monitor not available on 2-port local units, ST-2C5V(A/RS)-L-600.

#### Environment

- Operating temperature: 32 to 100°F (0 to 38°C).
- Storage temperature: -20 to 140°F (-30 to 60°C).
- Operating and Storage Relative Humidity: 17 - 90% non-condensing RH.

#### Cables

- Use CAT5, CAT5e or CAT6 solid straight through cable for TIA/EIA-568B wiring terminated with standard RJ45 connectors (not included).

#### Regulatory Approvals

- CE, RoHS

### Remote Unit

- Supports resolutions up to 1920x1440; refer to the resolution chart below for resolutions at different lengths.
- Video signal to noise ratio: >55dB
- Distortion: 65dB at 5MHz
- Female 15-pin HD connector.
- Optional 3.5 mm stereo audio connection.
- Optional male 9-pin D connector for RS232.

#### Video Quality Adjustment

- Video quality adjustment for different lengths of CAT5/5e/6/6a cable is done manually for the video-only extender, and automatically for audio/video or video/RS232 extender.

#### Power

- Local and remote unit: 110 to 220 VAC at 50 or 60 Hz via AC adapter. (Country-specific AC adapters included.)
- Power Consumption: 10 W (each - local and remote unit).
- Use the PWR-48V-9V0-6A or PWR-12V-9V0-6A DC-DC power converter to install the local unit in a Telecom environment.

### MTBF

NTI Part #	MTBF (hrs)	NTI Part #	MTBF (hrs)
ST-C5V-600 (local)	88,708	ST-C5V-600 (remote)	80,625
ST-C5VA-600 (local)	84,744	ST-C5VA-600 (remote)	82,214
ST-C5VRS-600 (local)	82,338	ST-C5VRS-600 (remote)	79,714

#### Dimensions:

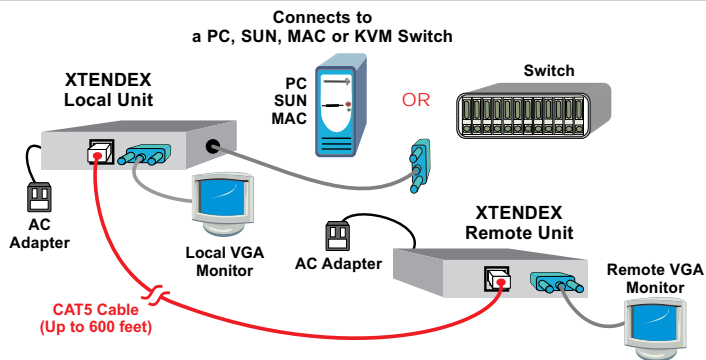
- WxDxH: 3.5x3.1x1.2 in (89x79x30 mm)
- Weight: 1.2 lbs (0.54 kg)

#### Warranty

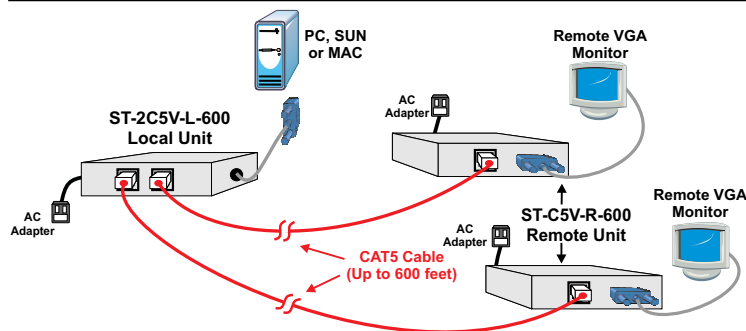
- Two Years

## Extend a VGA monitor up to 600 feet away from a computer

### Configuration and Cable Illustration



### Configuration and Cable Illustration of ST-2C5V-L-600 and ST-C5V-R-600



## Options

### Stereo Audio

- Stereo audio can be heard both locally and remotely.
- Frequency response: 20 Hz to 20 kHz, +/-1 dB.
- Signal-to-Noise Ratio (SNR): 76 dBA.
- Total Harmonic Distortion and Noise (THD+N): 0.017%.
- Stereo crosstalk: -70 dB.
- Input impedance: 10k Ohms.
- Line level output; supports multimedia speakers.
- Maximum I/O levels: 3.1Vp-p (line level).
- CD quality audio output.

### RS232 Control

- Supports TXD, RXD, DTR, DSR, CTS and RTS.
- Baud rate up to 56000.
- Support for a touch screen monitor.

### Local Unit Supporting Two Remote Monitors

- Two RJ45 connectors for connecting two remote units.
  - The monitors connected to each remote unit simultaneously display the same image.
- Features push button for downloading DDC data from monitor connected to VGA connector.

### Remote Unit Supporting Two Monitors

- Two female 15-pin HD connectors for connecting two monitors.
  - Both remote monitors simultaneously display the same image.
- Optional audio allows connection of two sets of speakers.
  - Two 3.5mm stereo jacks.

### VESA Mounting Bracket

- Use to mount the remote unit to the back of a flat panel monitor.
- Compliant to VESA 75 and 100 mm (3 and 3.9 in) mounting hole patterns.
- Dimensions WxH (in): 9.7x4.8
- Compatible with the remote unit only.



Remote unit mounted to the back of a flat panel monitor using ST-C5MK-VESA mounting kit

### Distances and Resolutions for CAT5/Cat5e and CAT6 Cables

Cable	Distance (feet)	Maximum Resolution
CAT5/CAT5e (UTP)	600	1024x768 at 60Hz
CAT5/CAT5e (UTP)	400	1280x1024 at 60Hz
CAT5/CAT5e (UTP)	300	1600x1200 at 60Hz
CAT5/CAT5e (UTP)	100	1920x1440 at 60Hz
CAT5/5e (STP), CAT6 (UTP)	300	1024x768 at 60Hz
CAT5/5e (STP), CAT6 (UTP)	200	1280x1024 at 60Hz
CAT5/5e (STP), CAT6 (UTP)	100	1920x1440 at 60Hz

### VGA Extender Models

Supported Features	Local or Remote	# of Ports	NTI Part #
VGA	Both	1	ST-C5V-600
VGA + Audio	Both	1	ST-C5VA-600
VGA + RS232	Both	1	ST-C5VRS-600
VGA	Local	2	ST-2C5V-L-600
VGA + Audio	Local	2	ST-2C5VA-L-600
VGA + RS232	Local	2	ST-2C5VRS-L-600
VGA	Remote	1	ST-C5V-R-600
VGA + Audio	Remote	1	ST-C5VA-R-600
VGA + RS232	Remote	1	ST-C5VRS-R-600
VGA	Remote	2	ST-C5VX2-R-600
VGA + Audio	Remote	2	ST-C5VAX2-R-600